

# Farm Lite/307 Livestock Farming Light



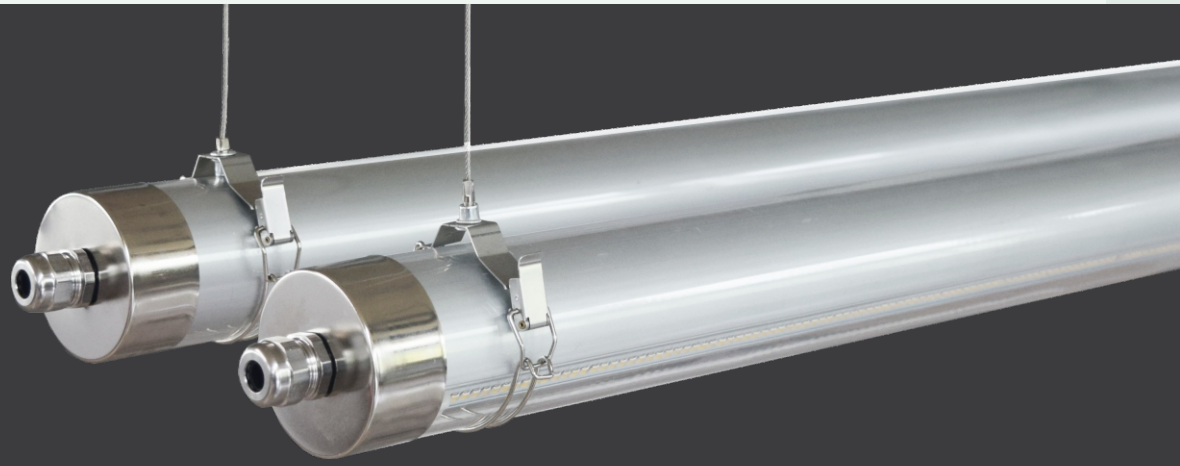
IP67

0-10V

anti-  
corrosion

 5 years  
WARRANTY

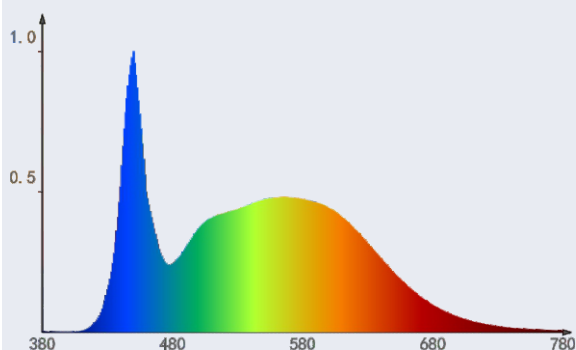
CE RoHS



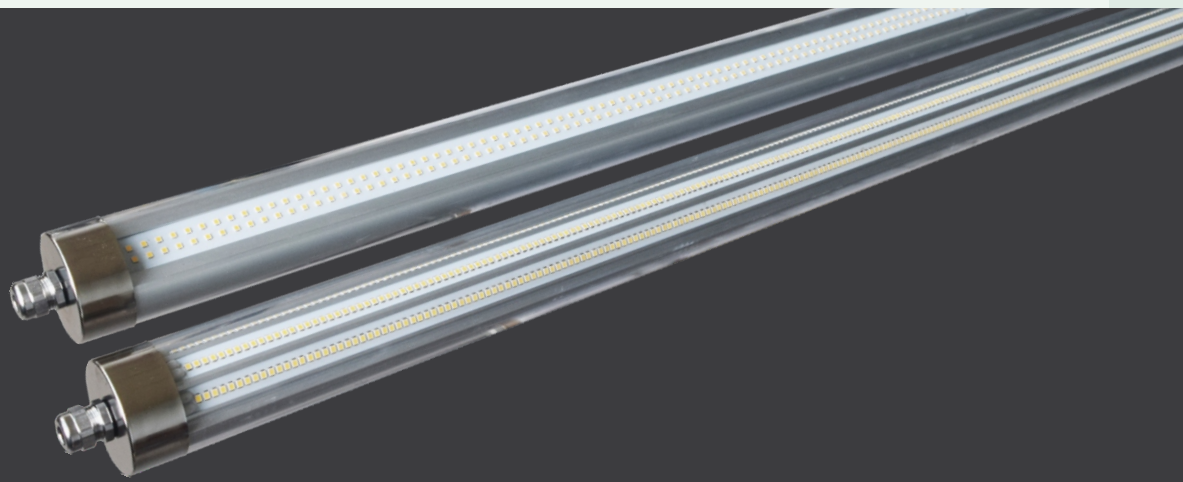
## Features

- IP67
- Anti-ammonia and other corrosive gases
- Easy installation
- Irradiation Angle can be optional(120°/130°/150°/160°)
- 5 years warranty

## Application



1. Create natural and comfortable optical environment, keep domestic animals at ease.
2. Uplift their resistance against diseases as well as improve meat quality.
3. Enhance absorption of calcium and promote blood circulation.



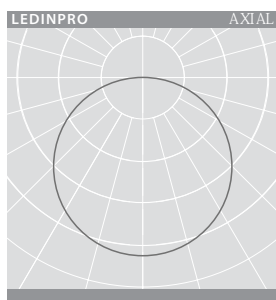
### LED CHARACTERISTICS

Input Voltage 100-277VAC		CCT(K) 2700/3000/4000/5000/5700/6500		<b>IP 67</b>
THD <15%	PF >0.9	Warranty 5 years		

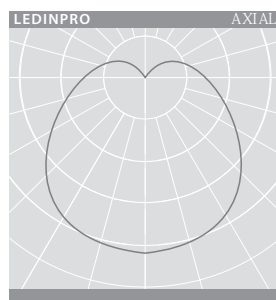
### Parameter

Type No.	LENGTH (mm)	WATTAGE (WATTS)	Cover Material	Type	Clear			Frosted		
					LUMEN (LM)	Efficiency (Lm/W)	Beam Angle	LUMEN (LM)	Efficiency (Lm/W)	Beam Angle
307-0001	900	45	PMMA	P	6300	140	120°	5850	130	130°
307-0002	900	45	PMMA	V	6300	140	150°	5850	130	160°
307-0003	1200	60	PMMA	P	8400	140	120°	7800	130	130°
307-0004	1200	60	PMMA	V	8400	140	150°	7800	130	160°
307-0005	1500	45	PMMA	P	6300	140	120°	5850	130	130°
307-0006	1500	45	PMMA	V	6300	140	150°	5850	130	160°
307-0007	1500	65	PMMA	P	9100	140	120°	8450	130	130°
307-0008	1500	65	PMMA	V	9100	140	150°	8450	130	160°

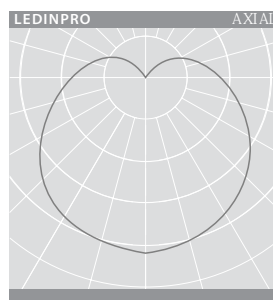
### Light distribution



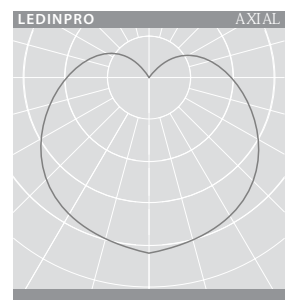
120°



130°



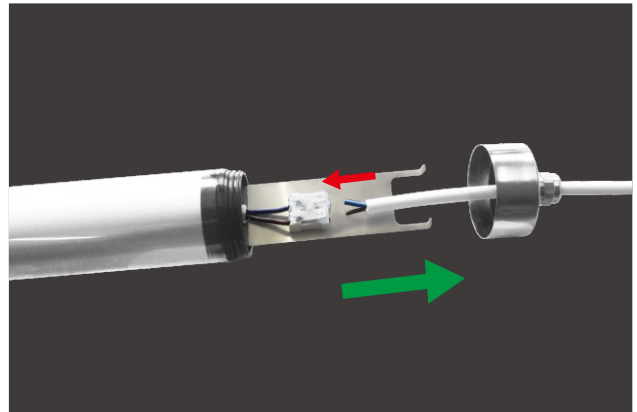
150°



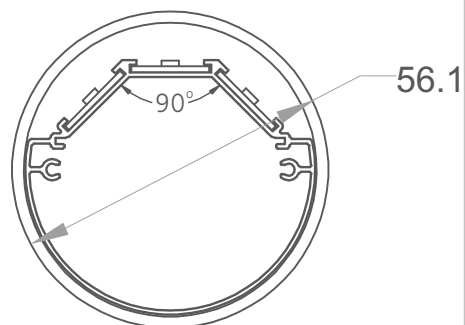
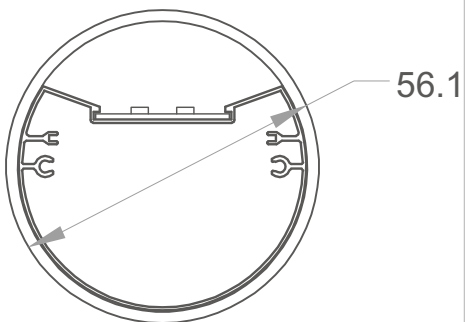
160°



### Power entry



### Dimension



### Accessories



Ceiling mounting clip

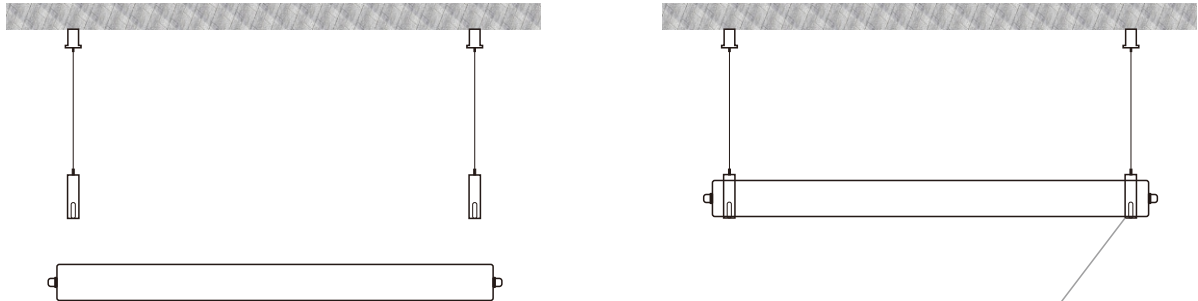


Suspending clip

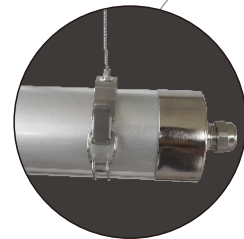
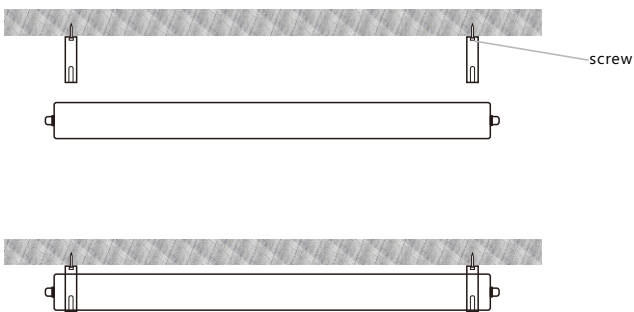
## Installation

### 1 Installation

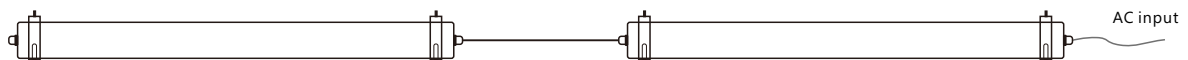
Suspending



Ceiling mounting



### 2 Interconnection



### Maximum interconnection QTY

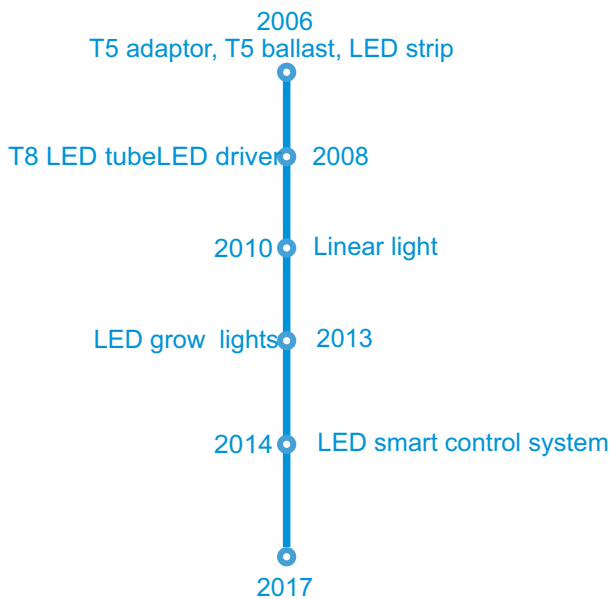
Power	Line Diameter	Voltage		
		1.5mm <sup>2</sup>	1.5mm <sup>2</sup>	1.5mm <sup>2</sup>
		110V	230V	277V
45W	QTY	22pcs	44pcs	54pcs
60W		14pcs	32pcs	39pcs
65W		13pcs	29pcs	35pcs

# COMPANY INTRODUCTION



Founded in 2006 and with LeDinPro as the brand name of commercial, industrial and horticultural lights.

Zhengzhou Inledco Lighting Co., Ltd has been designing and manufacturing LED lights with state of art technologies all the time.



The Company is assessed to ISO 9001:2015, which is the customer's assurance that LeDinPro luminaires are subject to the most stringent quality control management system.



Our products passed certificates of VDE, ENEC, UL, CB, ROHS etc.

