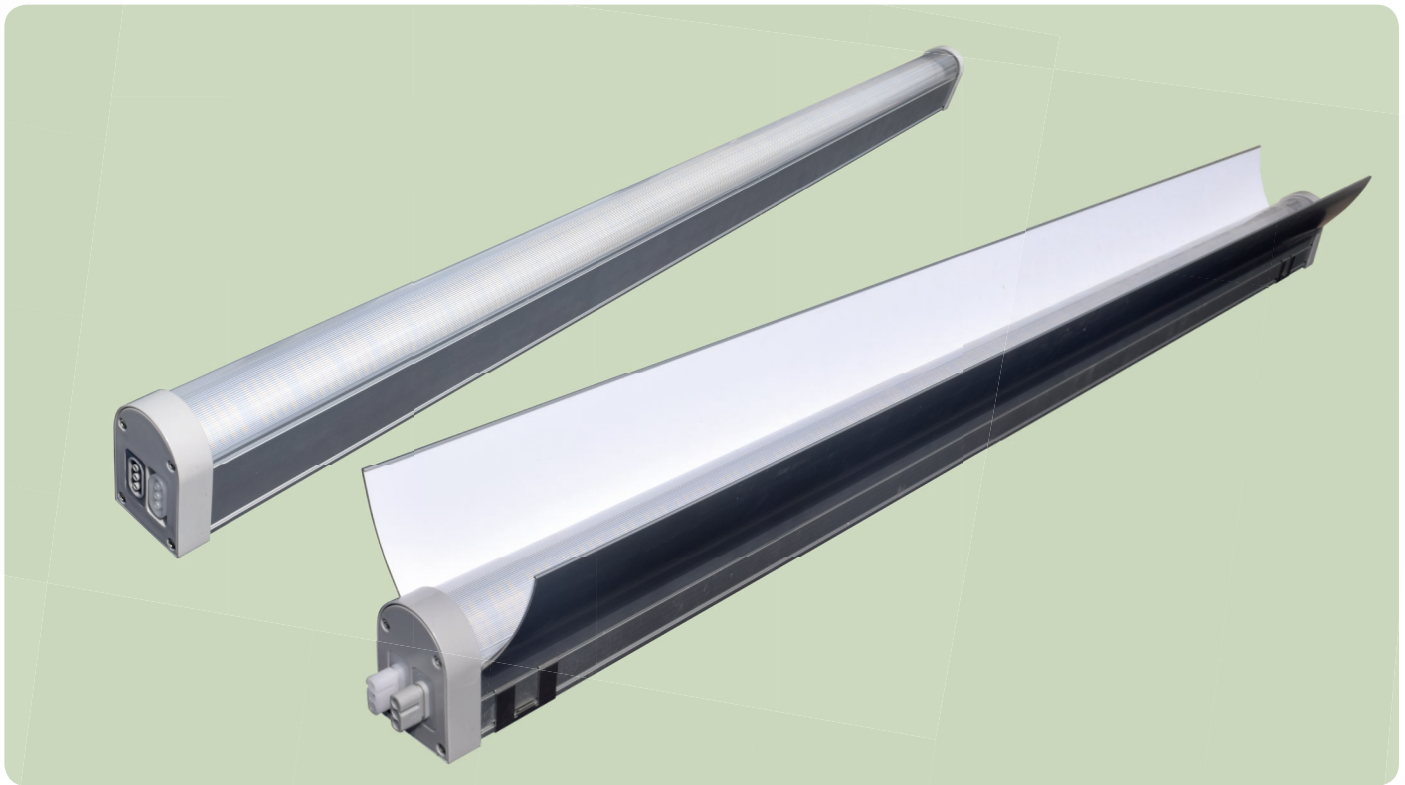


GrowConnect Top 231



Description

Various types of indoor horticulture lighting applications. Natural spectrum optimized for rapid growth and complete plant growth.

Suitable for universal indoor exotic plants, flowers, succulents, orchids, tillandsia and bromelia.

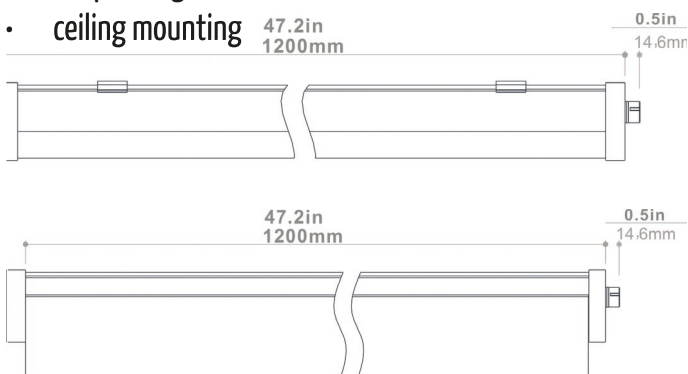
Dimensions

1200mm x 55mm x 70mm

1200mm x 155mm x 115mm (with reflector)

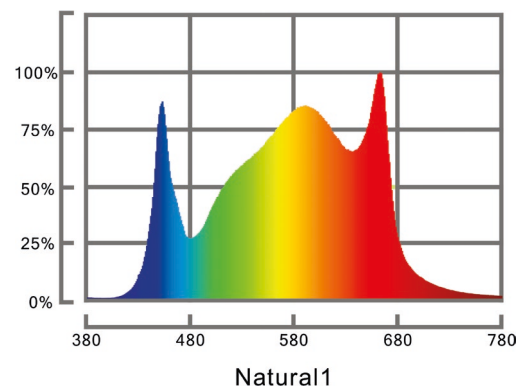
Installation

- suspending
- ceiling mounting



Specifications

Product Code	231-0050	231-0051
Input Power	65 W	130 W
Input Voltage	100-277 V	100-277 V
Efficiency	2.0 $\mu\text{mol}/\text{J}$	1.8 $\mu\text{mol}/\text{J}$
Beam Angle	120°	80°
PPF	130 $\mu\text{mol}/\text{s}$	234 $\mu\text{mol}/\text{s}$
Weight	1,85 Kg	2,4 Kg
Dimming	0-10 V	0-10 V
Spectrum	Natural1	Natural1



ITEM	SPECIFICATION	DETAILS	DETAILS
GENERAL	Project Code:	231-0050	231-0051
	Product Name:	GrowConnect Top	GrowConnect Top
	Product Code:	298-0050	231-0051
	Size (LxWxH) mm:	1200x55x70mm	1200x155x115mm
	Cover Type:	Striped-Clear	Striped-Clear
	Cover Material:	PC	PC
	Body Color:	Silver	Silver
	Body Material:	Aluminum	Aluminum
	Surface Finish:	Oxidation	Oxidation
	Protection Class:	class I	Class I
	IP Levels:	66	66
	Housing Type:	Half Round	Half Round plus Reflector
	Socket / Connection Cable Type:	16AWG	16AWG
	Efficiency(μmol/J):	2,0	1,8
	PPF(μmol/s):	130	234
	Beam Angle:	120°	80°
LED Type:	3800K	3800K	
LED Quantity:	240pcs	364pcs	
ELECTRICAL	Driver (Brand and Specs):	INLEDCO D65 Slim Driver	INLEDCO D65 Slim Driver
	Power Supply Internal/External:	Internal	Internal
	Input Power:	65W	130W
	Input Voltage:	100-277VAC	100-277VAC
	Frequency:	50/60Hz	50/60Hz
	THD:	<20%	<20%
	PF:	>0.9	>0.9
	Interconnectable(Yes/No):	Yes	Yes
	By Max Power:	1950W(220VAC)	1950W(220VAC)
	By Max Quantity:	30pcs	15pcs
CONTROL	Dimmable (Yes/No):	Yes	Yes
	Dimming Type:	0-10V	0-10V
PHYSICAL	Cooling Type Passive/Active:	Passive	Passive
	Environment Temperature:	-20 to 40 °C	-20 to 40 °C
	Tc Lamp Body Temperature:	75 °C	75 °C
	Weight Per.Piece:	1.85Kg	2,4 Kg
	Weight Per Unit:	1.85Kg	2,4 Kg
	Quantity Per Packing Unit:	20	20
	Box Size Per Packing Unit:	1320*455*285mm	1320*455*285mm
	Box Weight Per Packing Unit:	41 Kg	52 Kg
	Accessories Included:	Mounting Clip Ceiling Rope Power Cable	Mounting Clip, Ceiling Rope Power Cable
CERTIFICATION	Certificates:	UL, cUL, CE	UL, cUL, CE
	Lxx/Bxx:	L80/B20 40.000h	L80/B20 40.000h
	Lifetime Hrs (L70):	>50000 Hrs	>50000 Hrs
	Warranty LED/Housing/Driver:	5 years	5 years