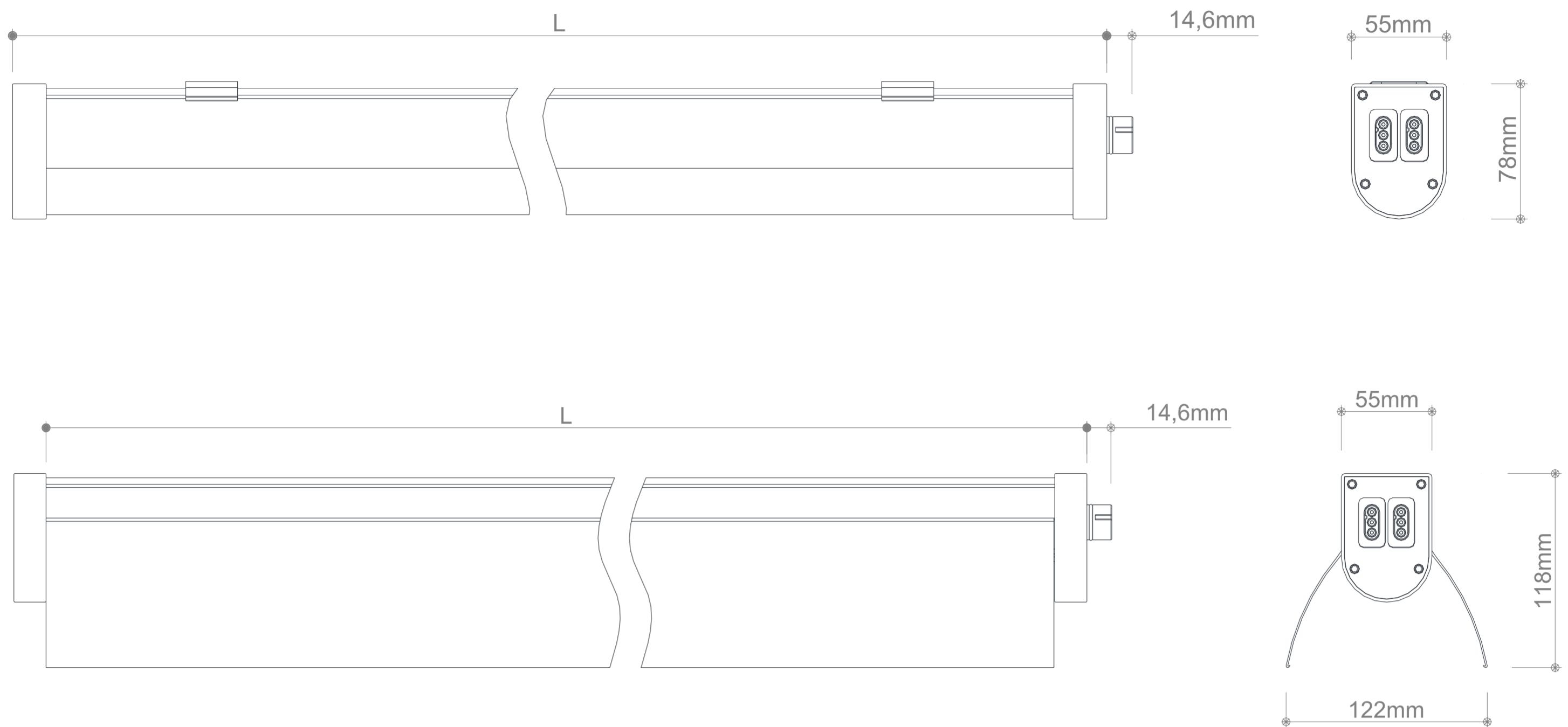


Installation Manual

TriProof Connect II / Linear231

Dimension



LUMINAIRES		KG
L=1200mm	65W	≈1.9Kg
L=1500mm	45W / 65W	≈2.3Kg
L=1200mm	130W	≈3.5Kg
L=1500mm	130W	≈3.9Kg

Luminaire Inlet & Installation Options

1 Steel clips space



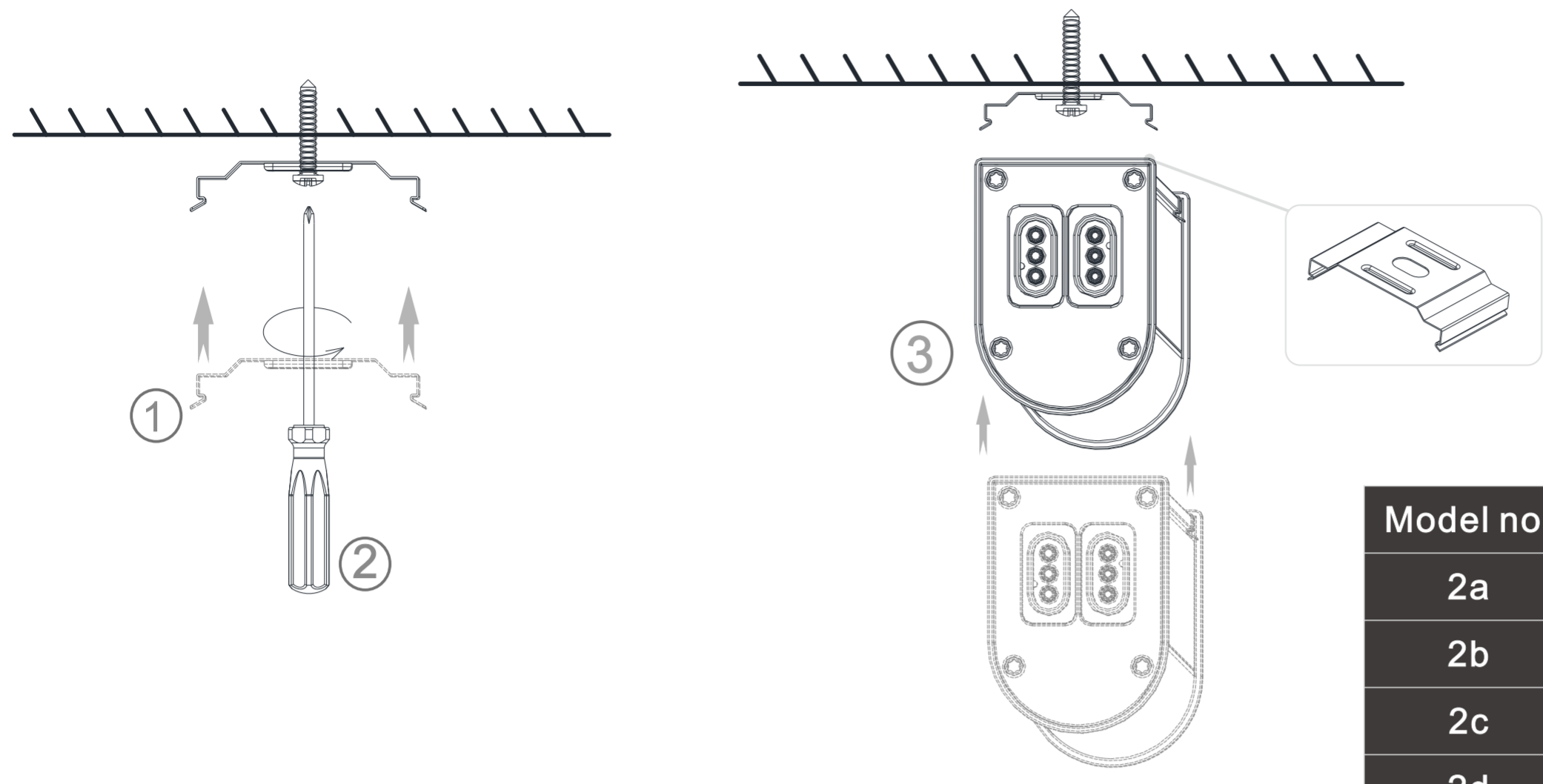
LUMINAIRES	Distance(D)	Recommend
L=1200mm	800mm-1000mm	950mm
L=1500mm	1100mm-1300mm	1250mm

Thanks for choosing our product, please read this guide carefully before installation.

Installation Manual

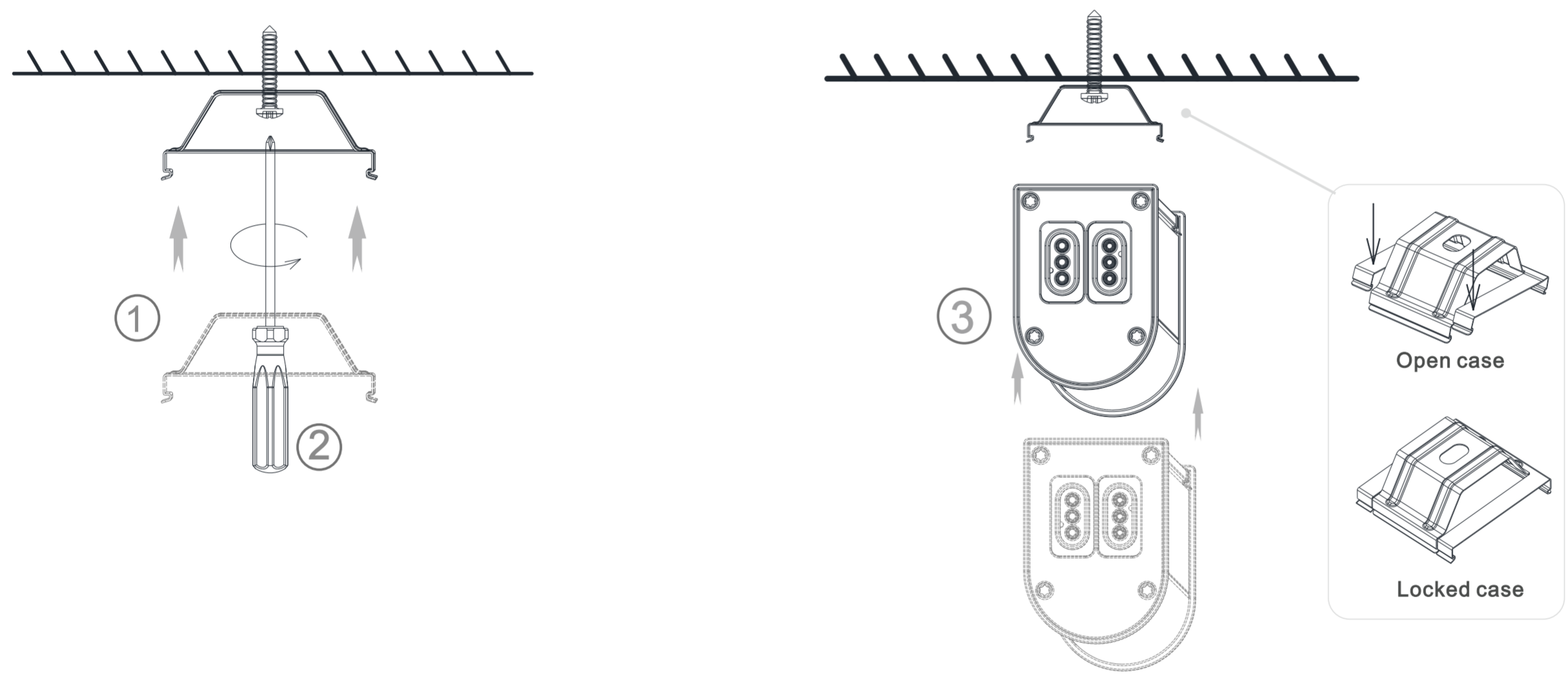
TriProof Connect II / Linear231

2a Universal Ceiling Mounting Installation

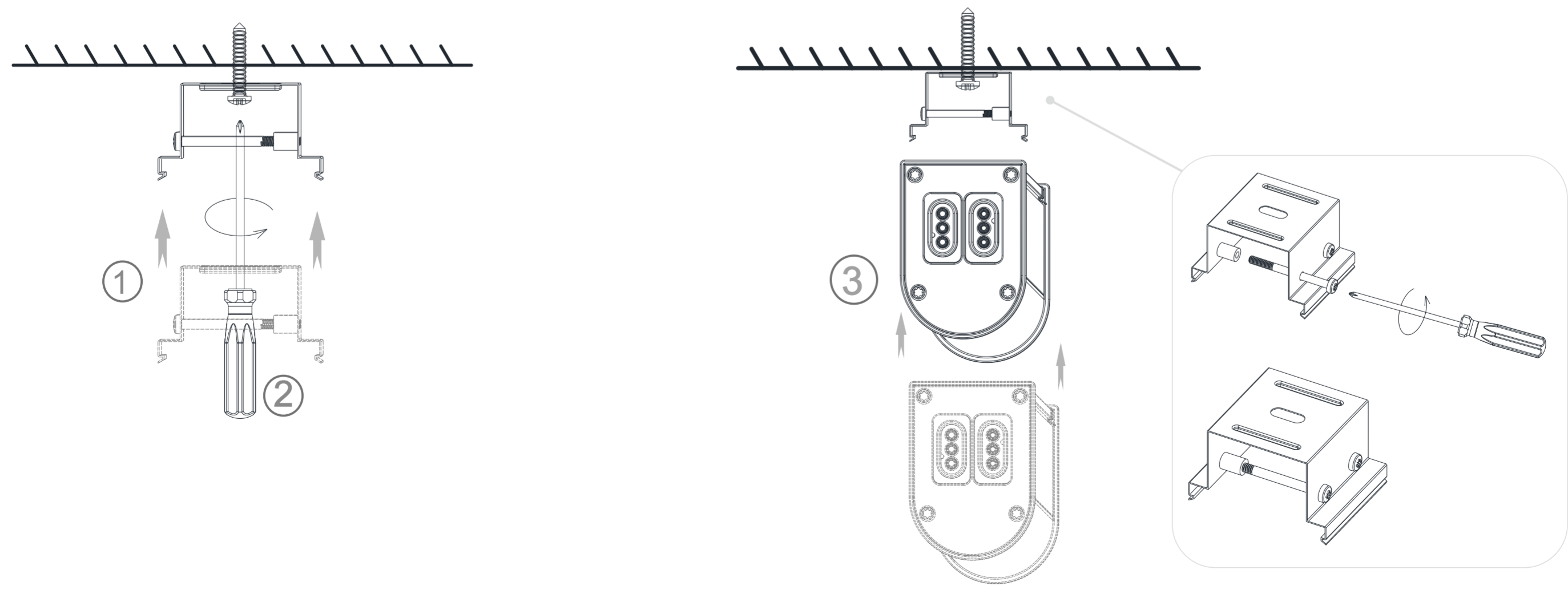


Model no.	Description
2a	Stainless steel clips
2b	Sliding Clips
2c	Anti-theft clip
2d	Suspending kit

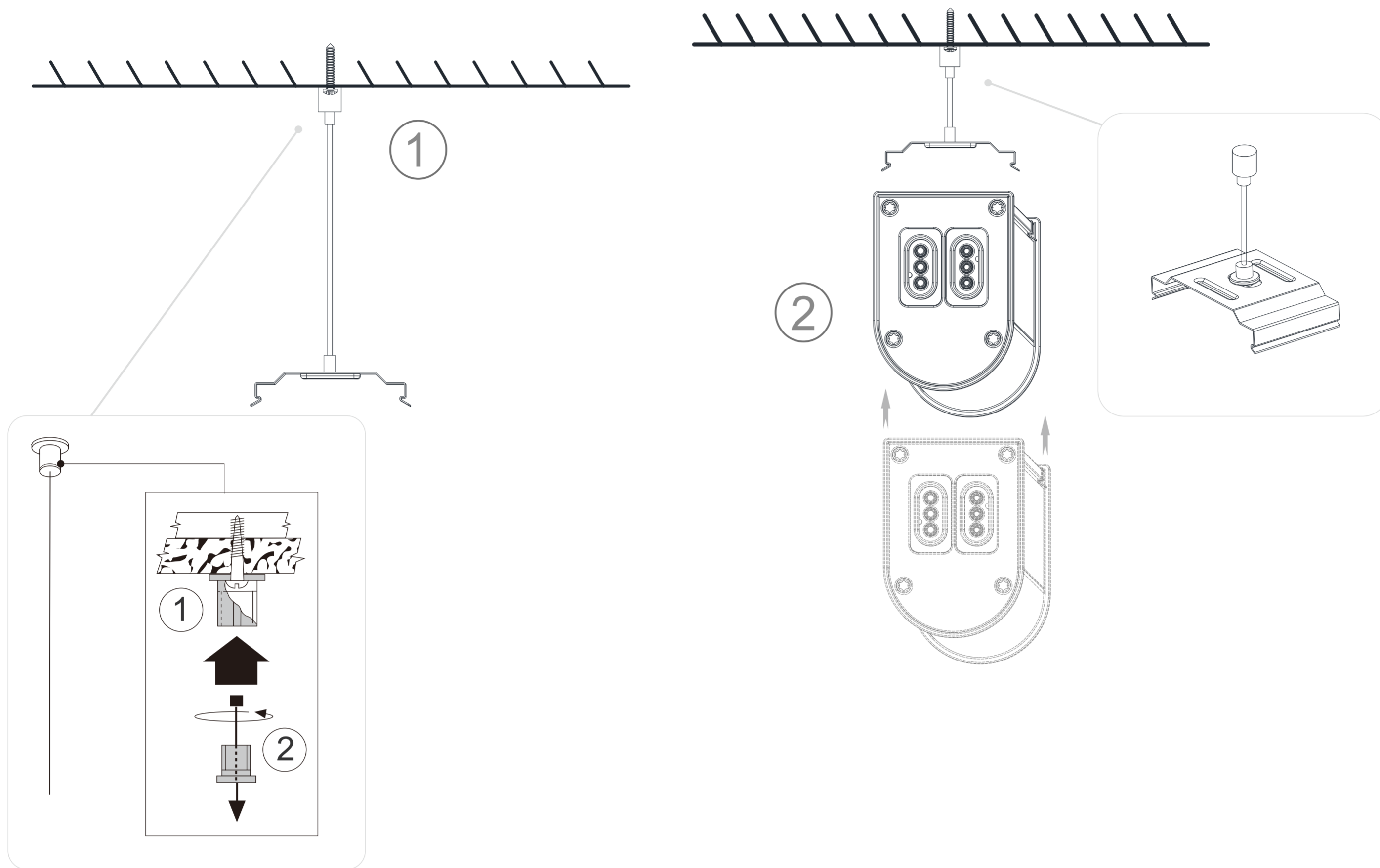
2b Universal Ceiling Mounting Installation



2c Universal Ceiling Mounting Installation

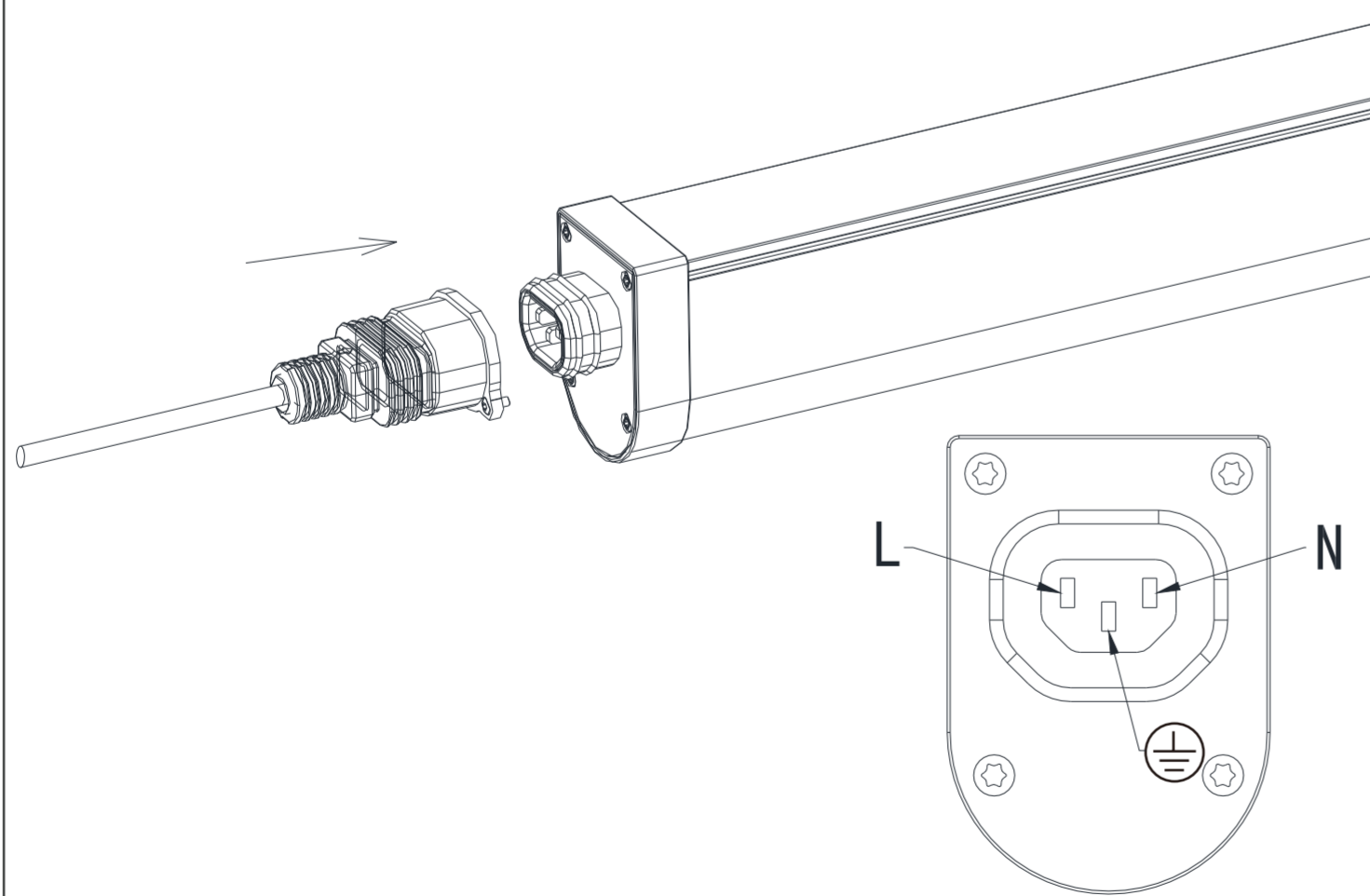


2d Suspending Installation



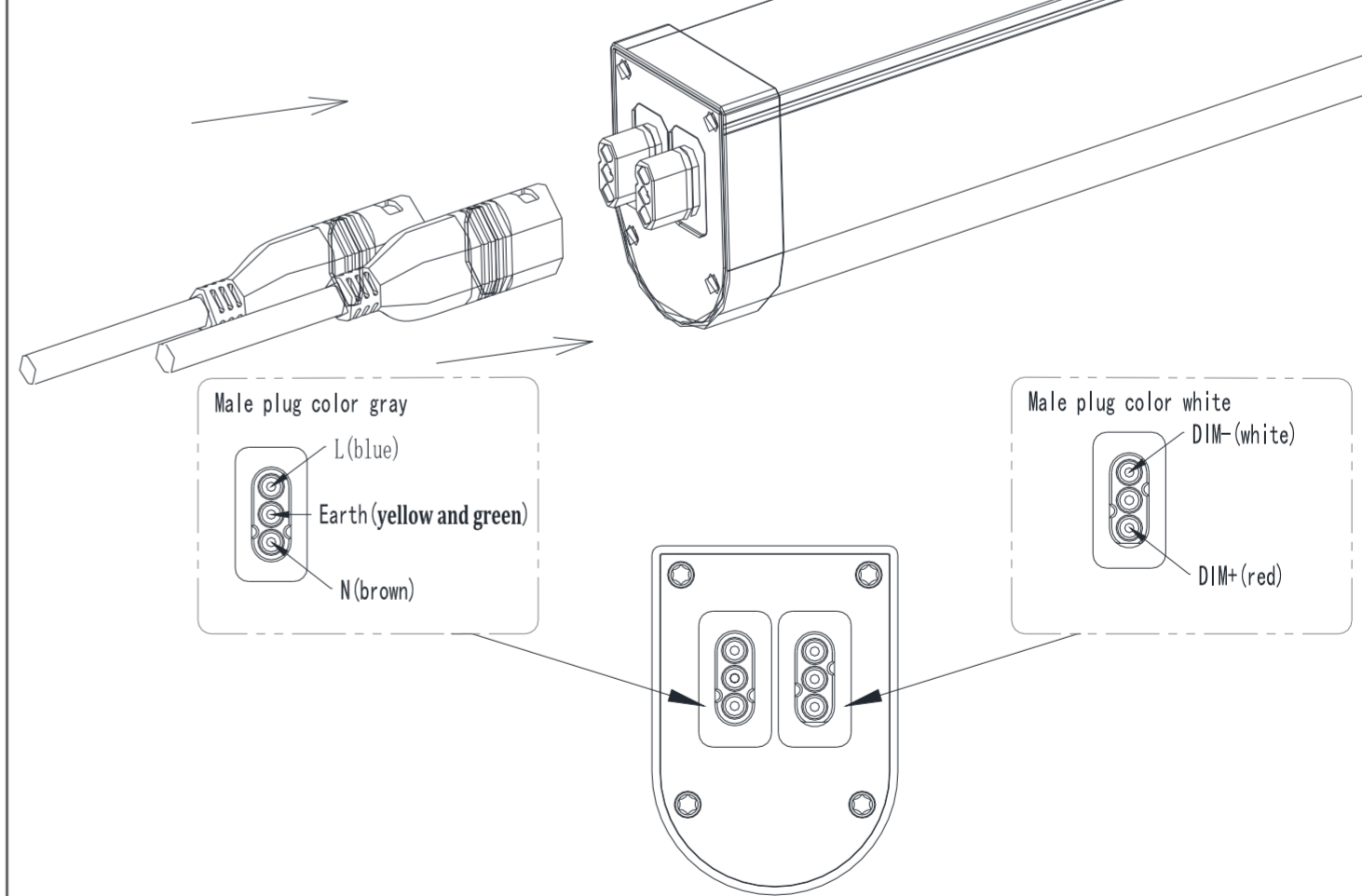
3a Luminaire Inlet

3-core Plug



3b Luminaire Inlet

6-core Plug



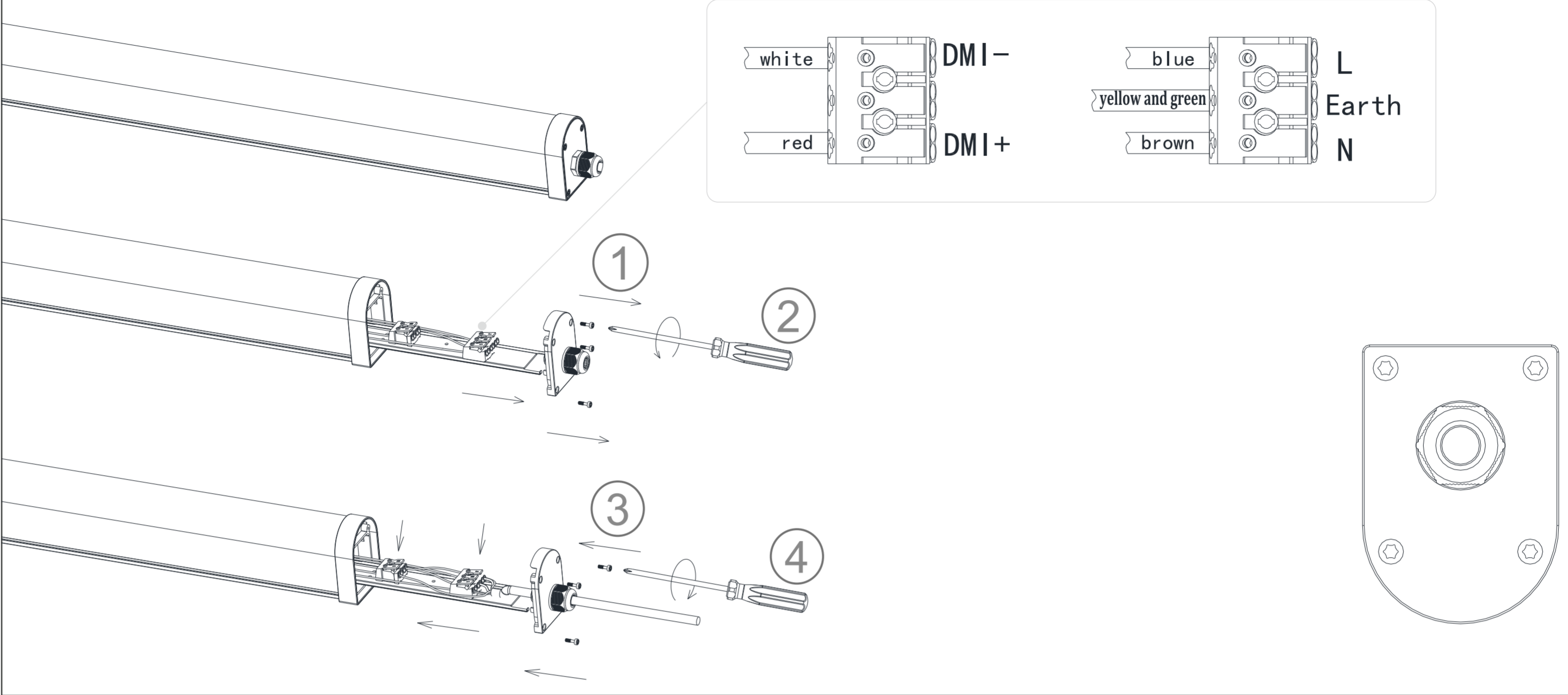
Thanks for choosing our product, please read this guide carefully before installation.

Installation Manual

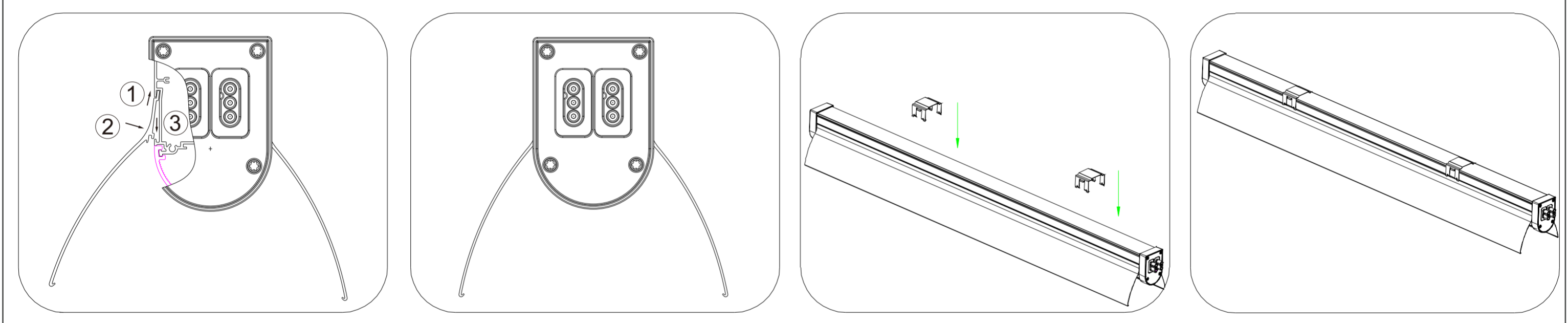
TriProof Connect II / Linear231

3c Luminaire Inlet

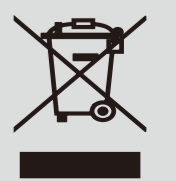
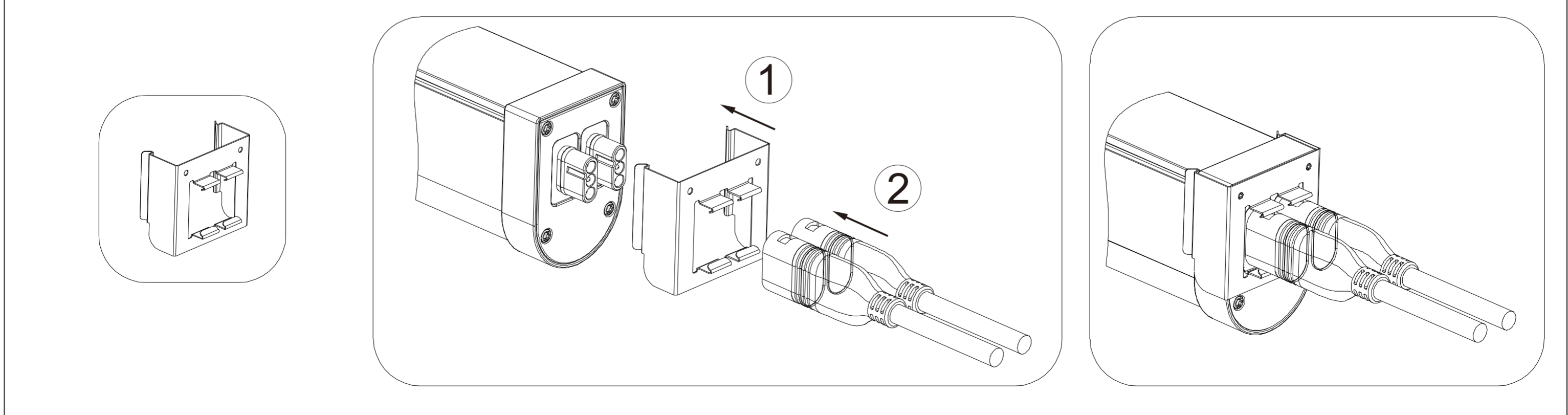
PG thread



3d Reflector installation

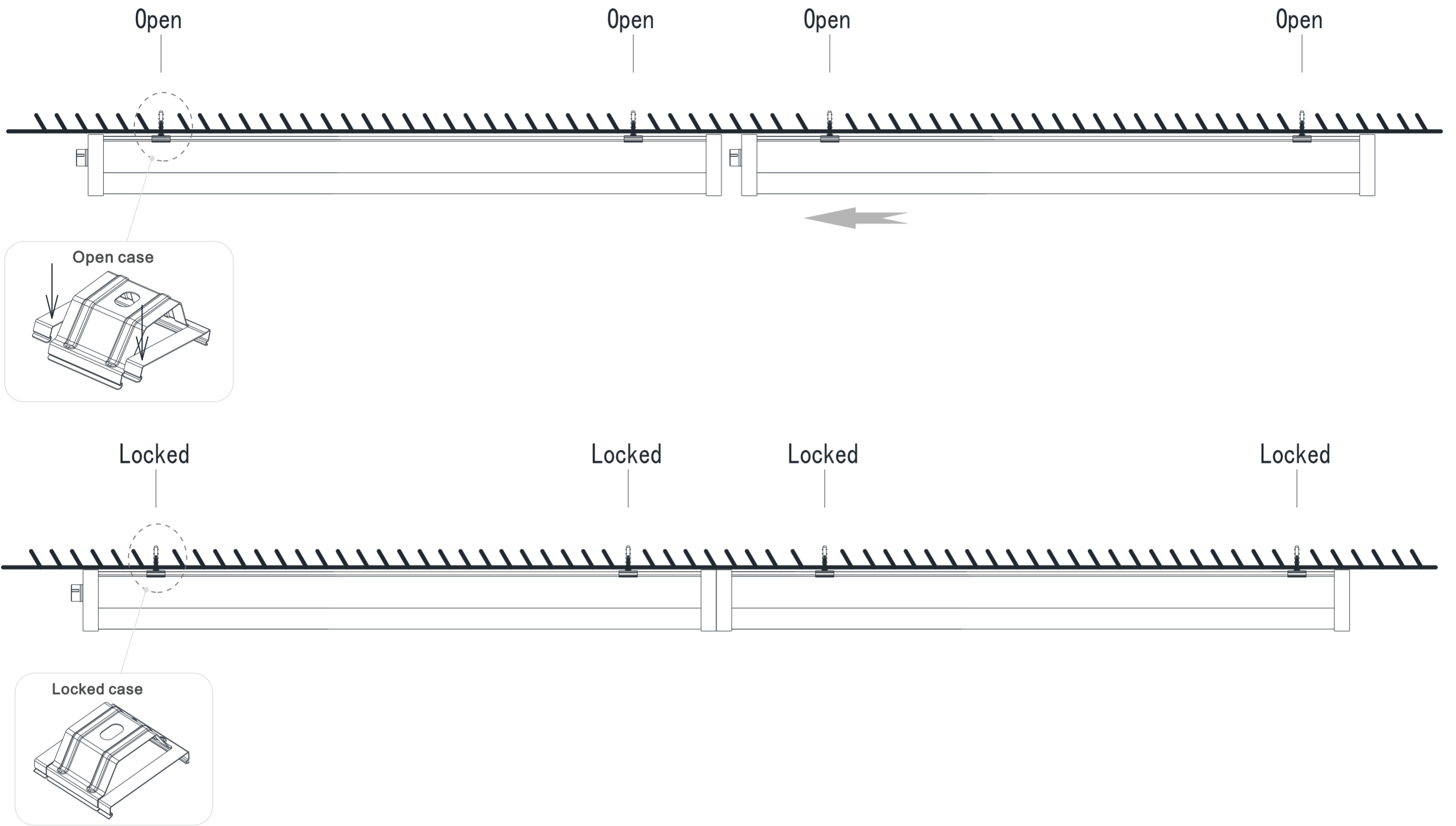


3d Anti-drop Interconnection cable plug clip



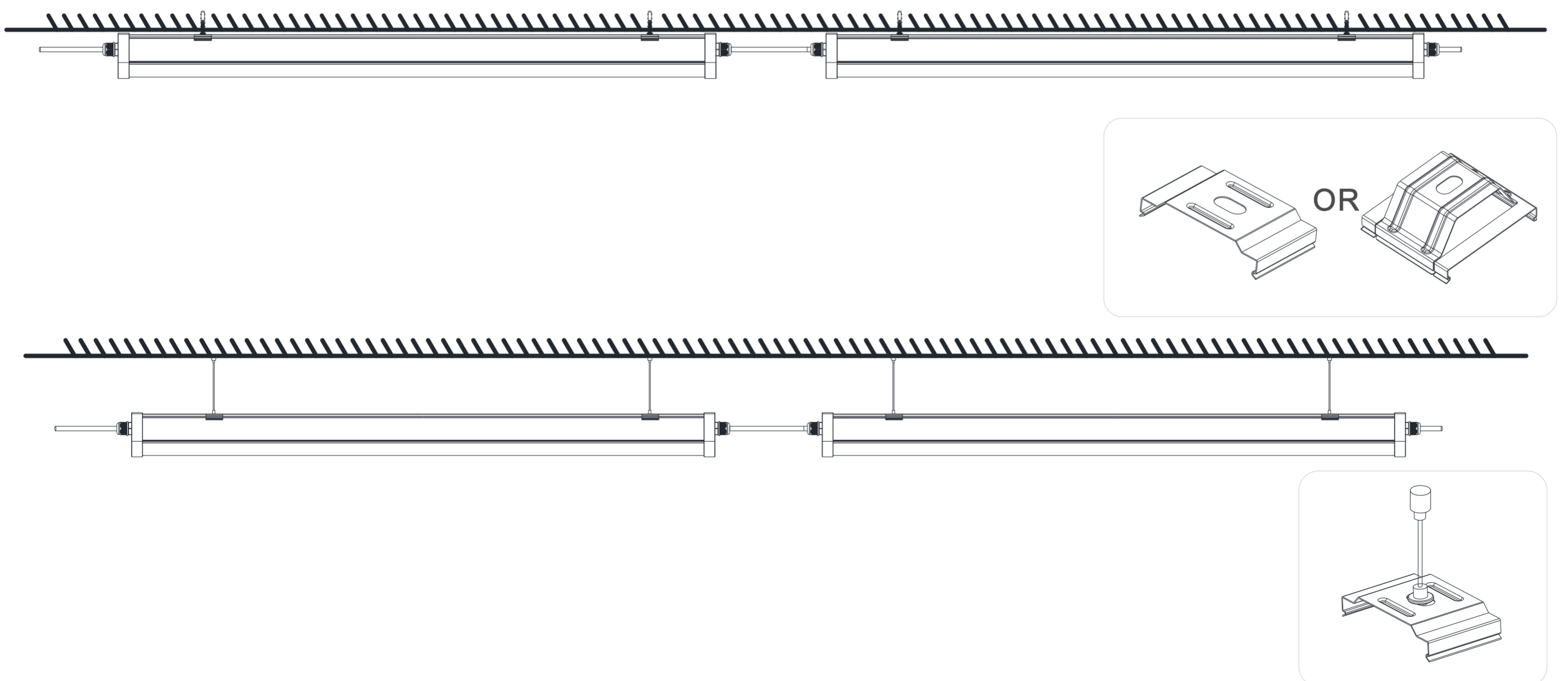
4a Interconnecting Installation Options

LUMINAIRES END to END



4b Interconnecting Installation Options

Interconnection by cable



4c Interconnecting Installation Options

LUMINAIRES END to END

