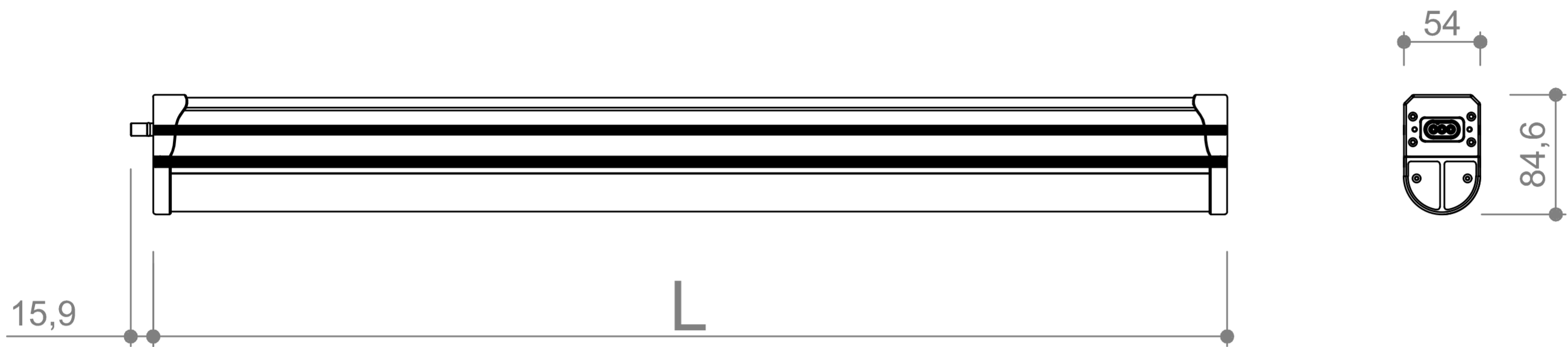


# Installation Manual

TriProof Flex I / 217

## Dimension



Unit:mm

LUMINAIRES		
L=1200mm	130W	≈3Kg
L=1500mm	65W	≈2.4Kg

## Wiring and Installation

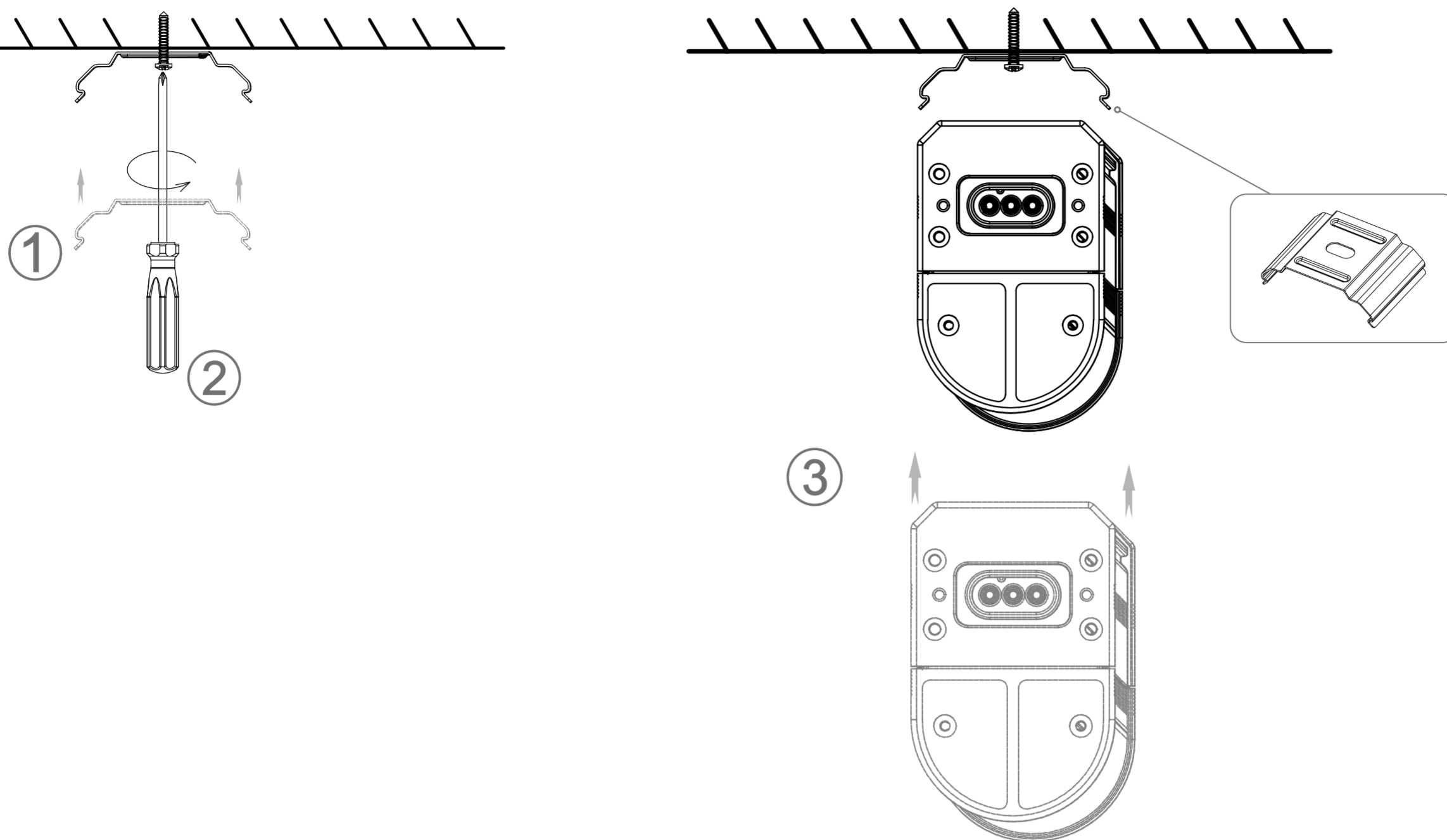
### 1. spacing



Unit:mm

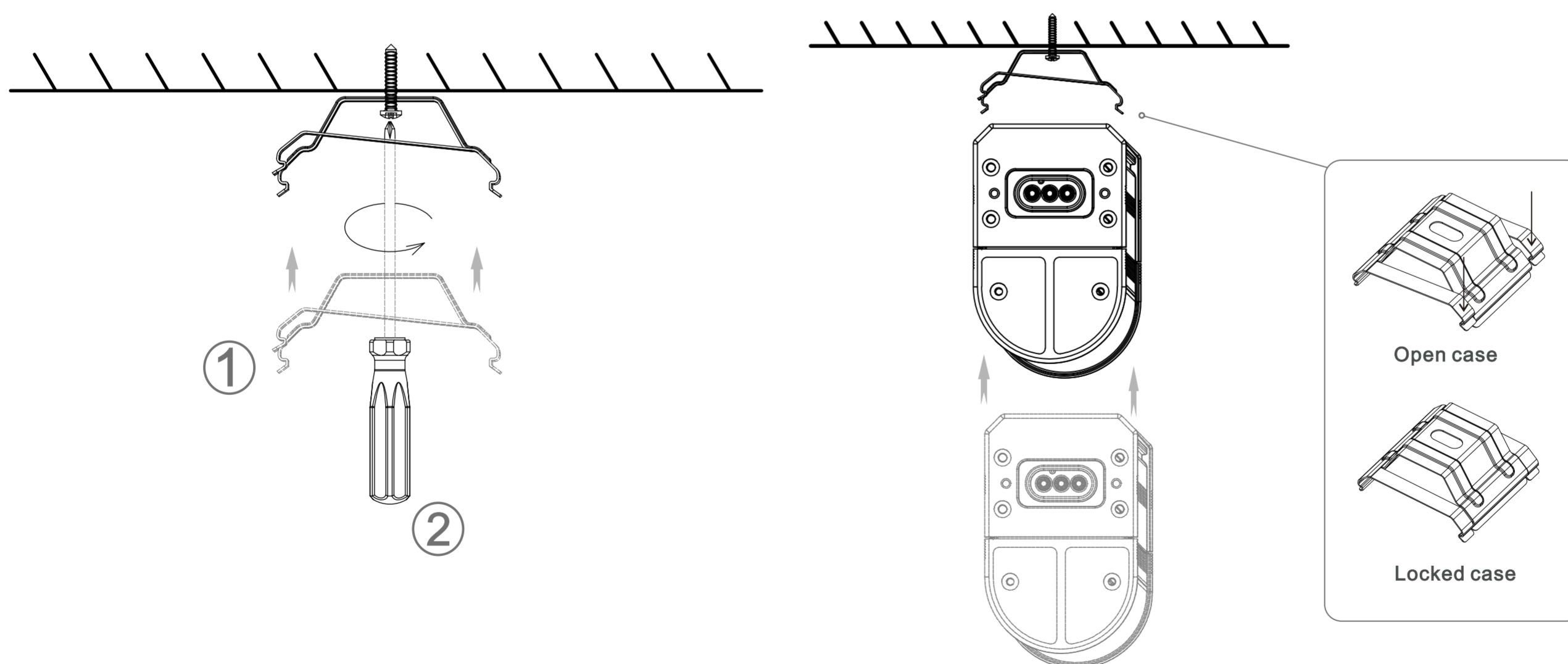
Distance(D)	Recommend
700mm-1000mm	900mm

## 2a Ceiling Mounting Installation



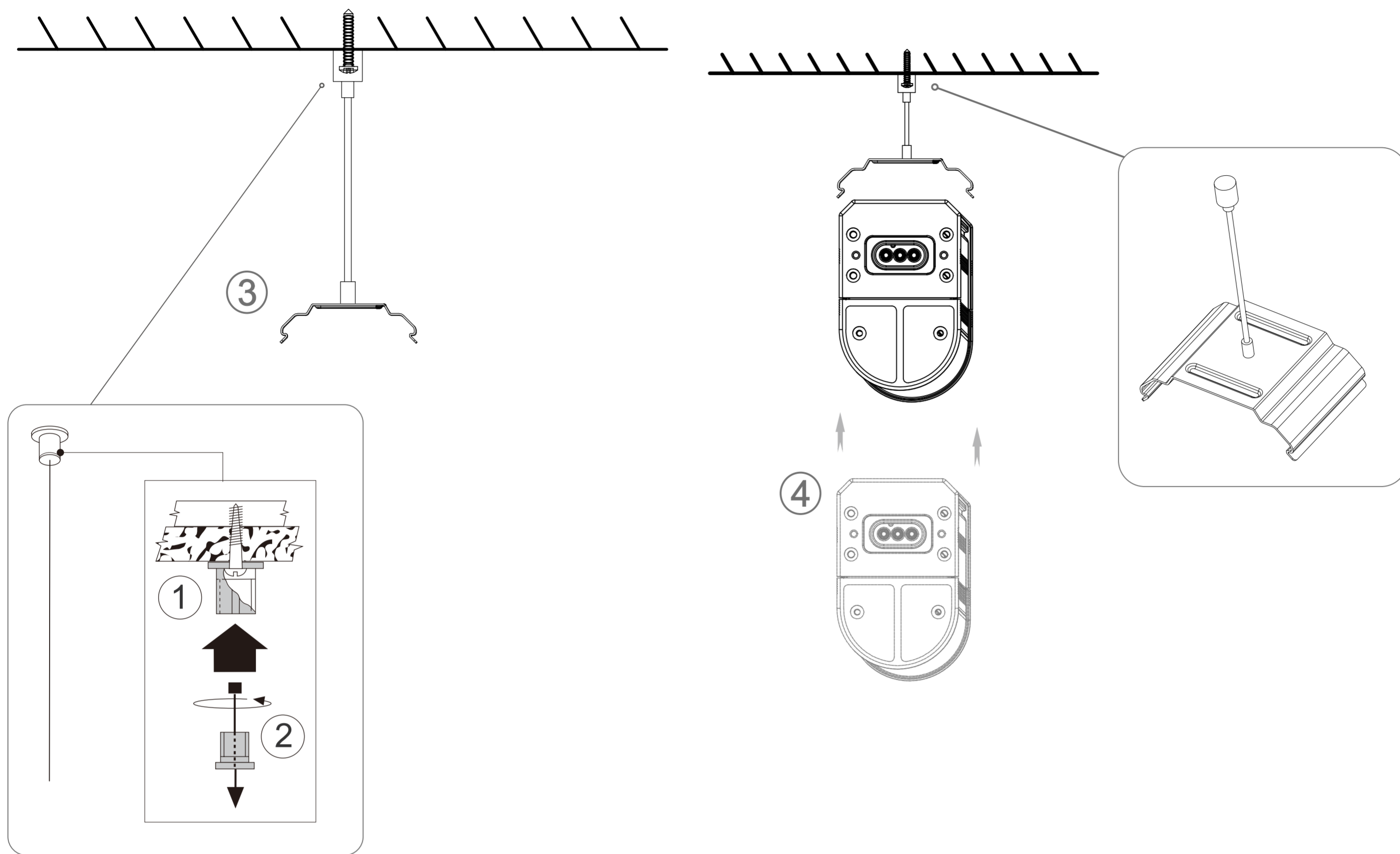
Model no.	Description
2a	Stainless steel clips
2b	Sliding Clips
2c	Suspending kit

## 2b Ceiling Mounting Installation



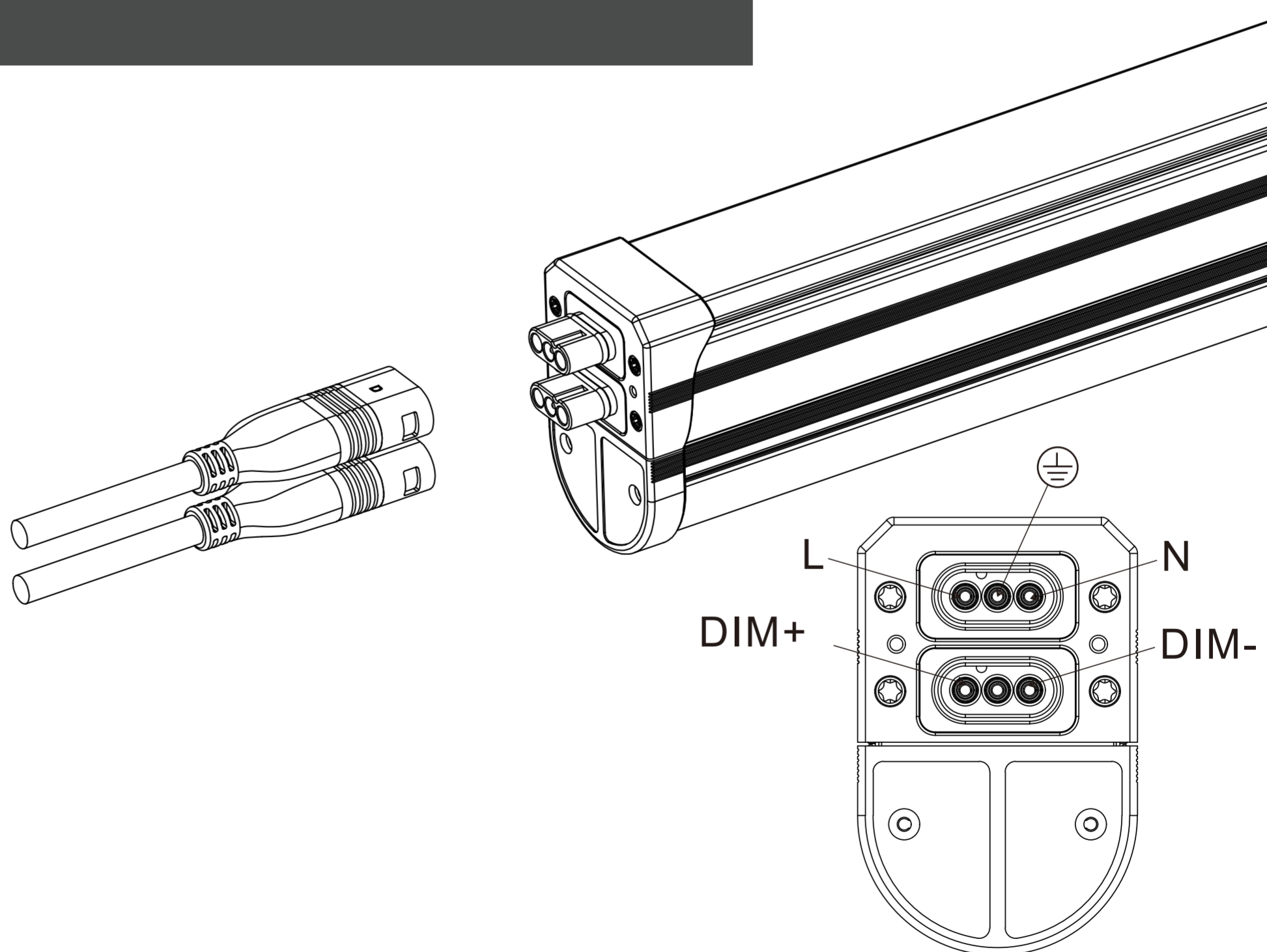
Thanks for choosing our product, please read this guide carefully before installation.

## 2c Suspending Installation



## 3a Wiring

### 6-core Plug

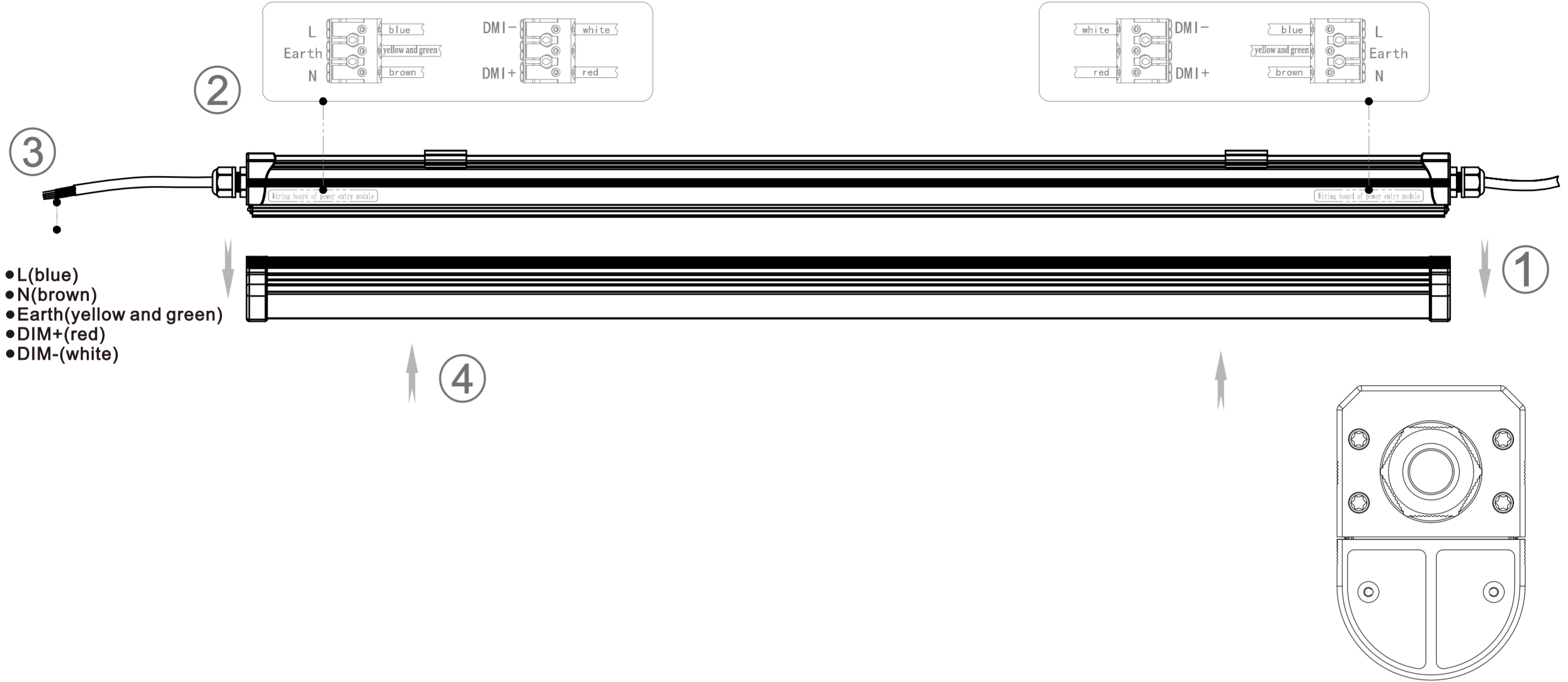


- L(blue)
- N(brown)
- Earth(yellow and green)
- DIM+(red)
- DIM-(white)

Thanks for choosing our product, please read this guide carefully before installation.

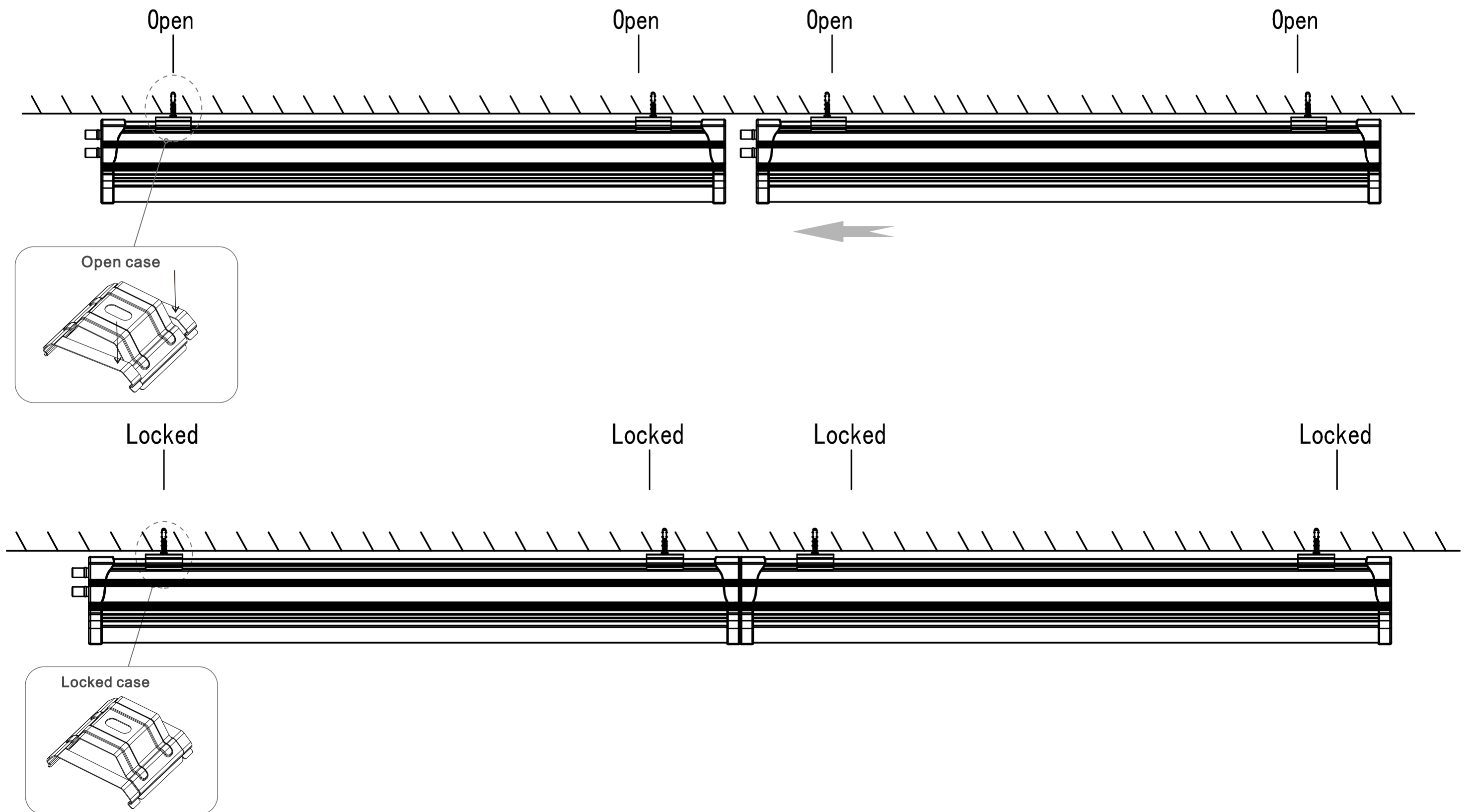
### 3b Luminaire Inlet

#### PG thread



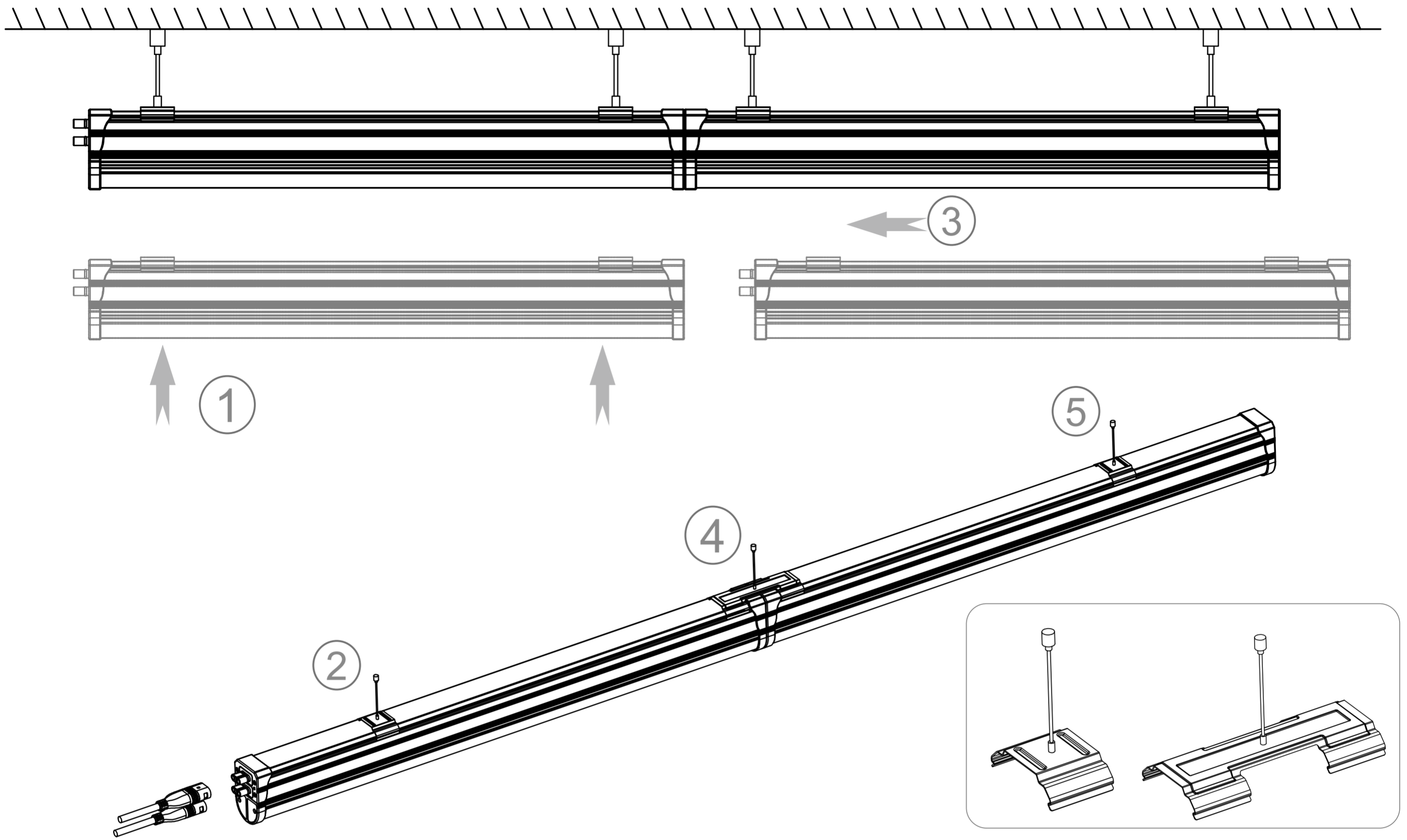
### 4a Interconnecting Installation Options

#### LUMINAIRES END to END



## 4b Interconnecting Installation Options

### LUMINAIRES END to END



## 4c Interconnecting Installation Options

### Interconnection by cable

