

# Installation Manual

TriProof Go/ Linear240

## Dimension

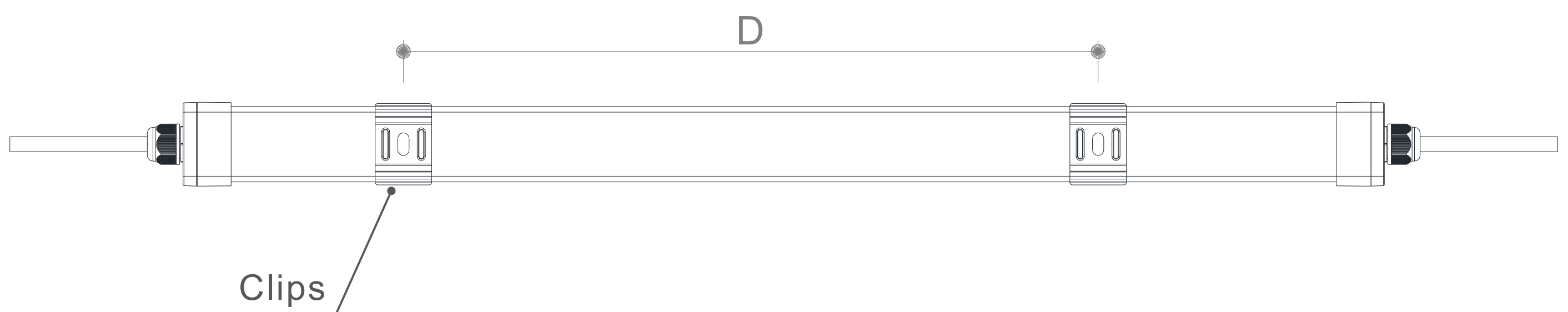


Unit:mm

LUMINAIRES		KG
L=1200mm	20/35/40/45W	≈1Kg
L=1500mm	30/45/ 60W	≈1.2Kg

## Luminaire Inlet&Installation Options

### 1. Steel clips space



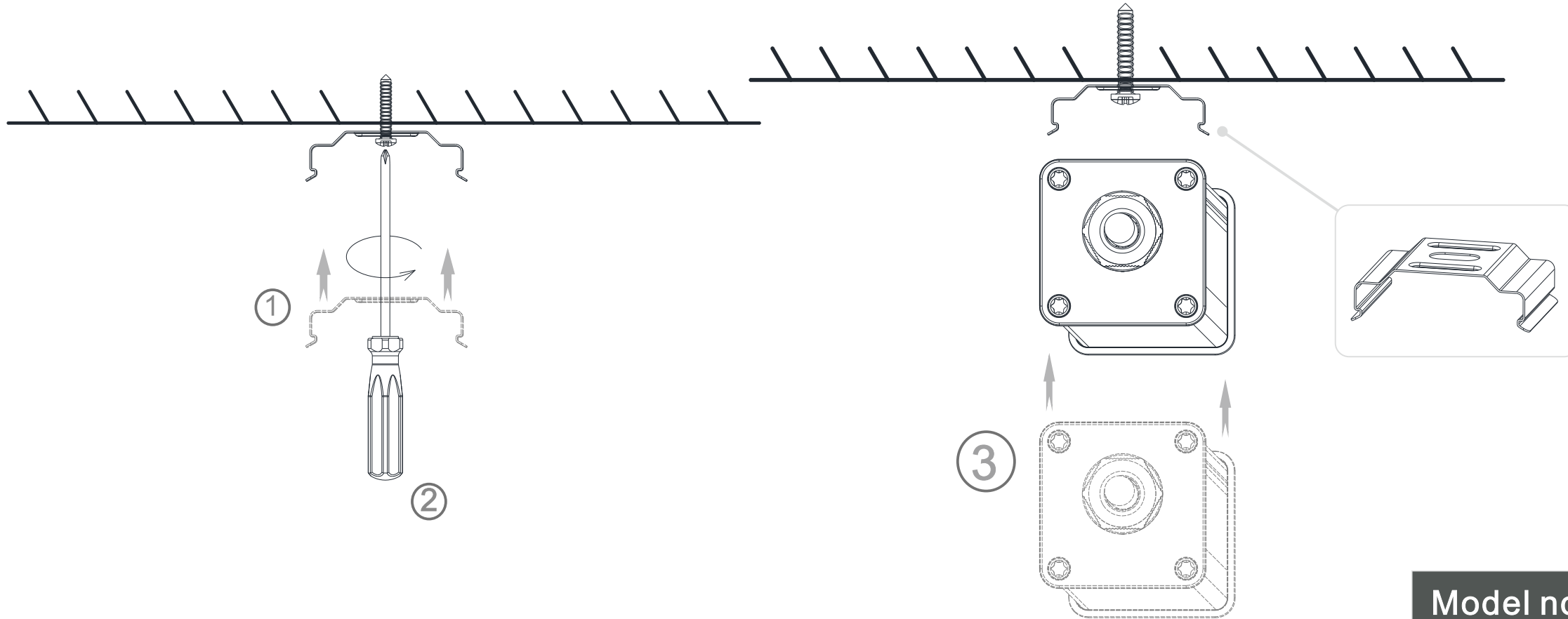
LUMINAIRES	Distance(D)	Recommend
L=1200mm	800mm-1000mm	950mm
L=1500mm	1100mm-1300mm	1250mm

Thanks for choosing our product, please read this guide carefully before installation.



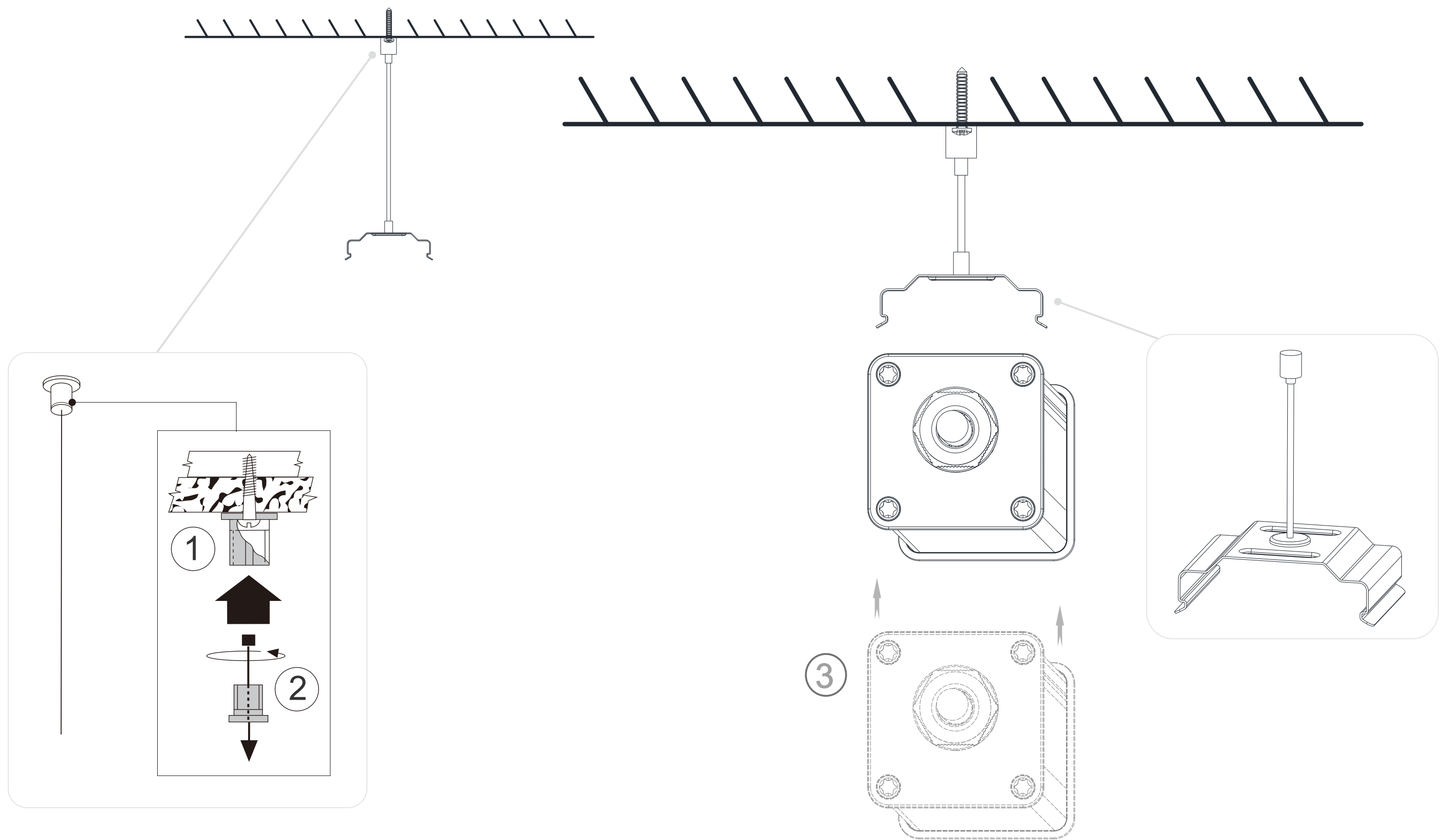
## Luminaire Inlet & Installation Options

### 2a. Universal Ceiling Mounting



Model no.	Description
2a	Stainless steel clips
2b	Suspending kit

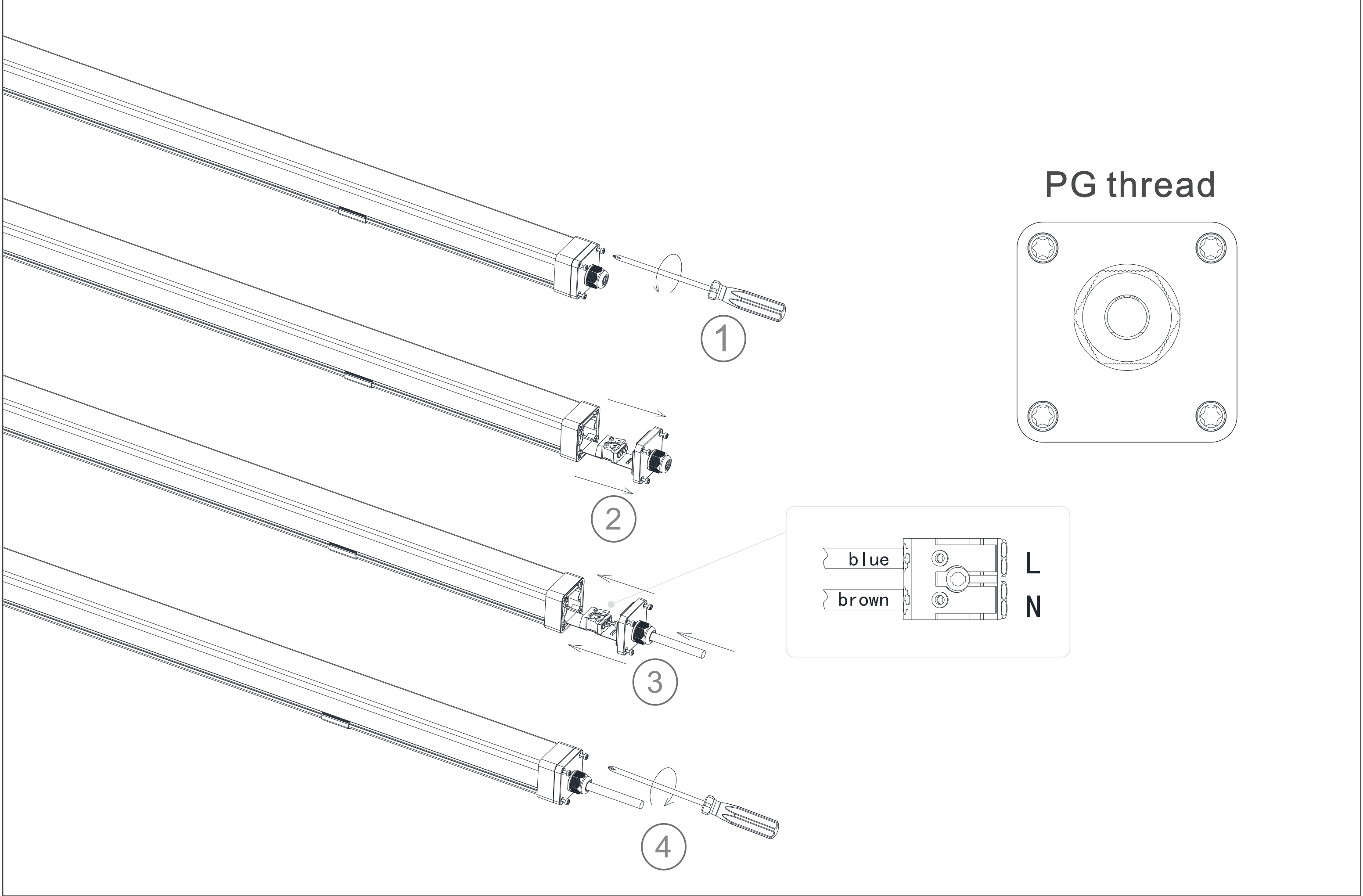
### 2b. Suspending



# Installation Manual

TriProof Go Linear240

## 3a. Luminaire Inlet



## 4a. Interconnecting Installation Options

### Interconnection by cable

