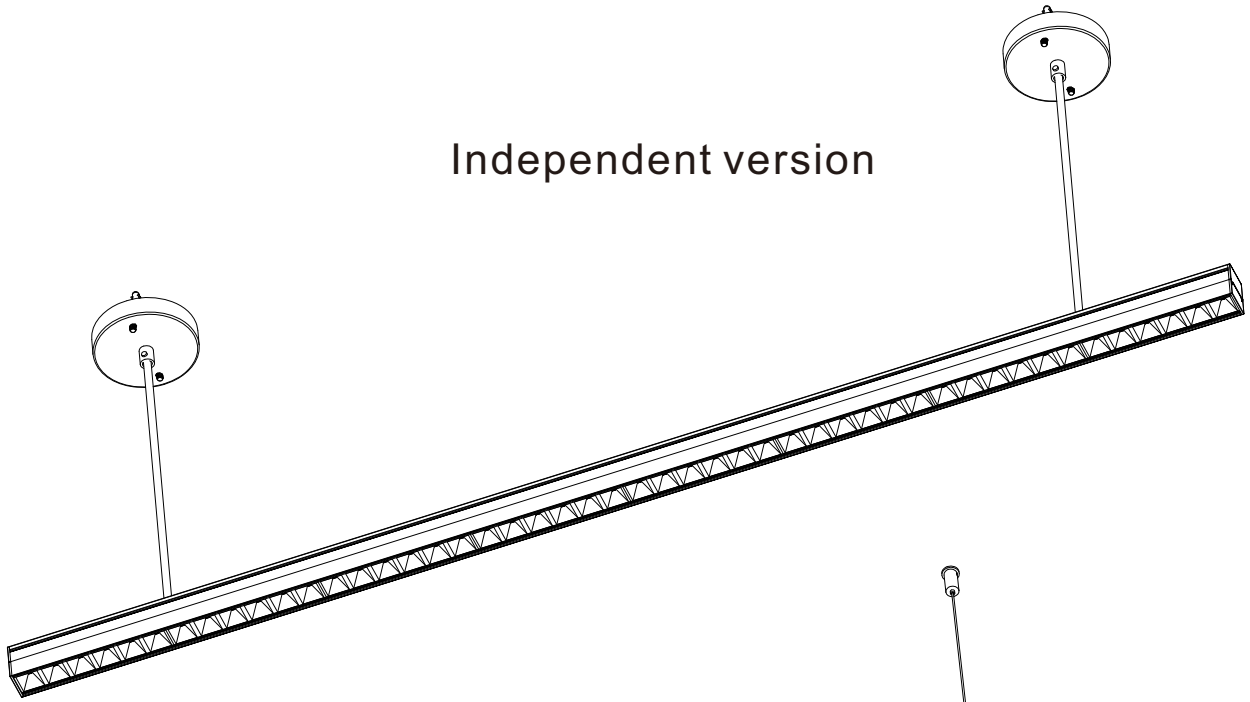


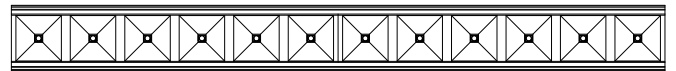
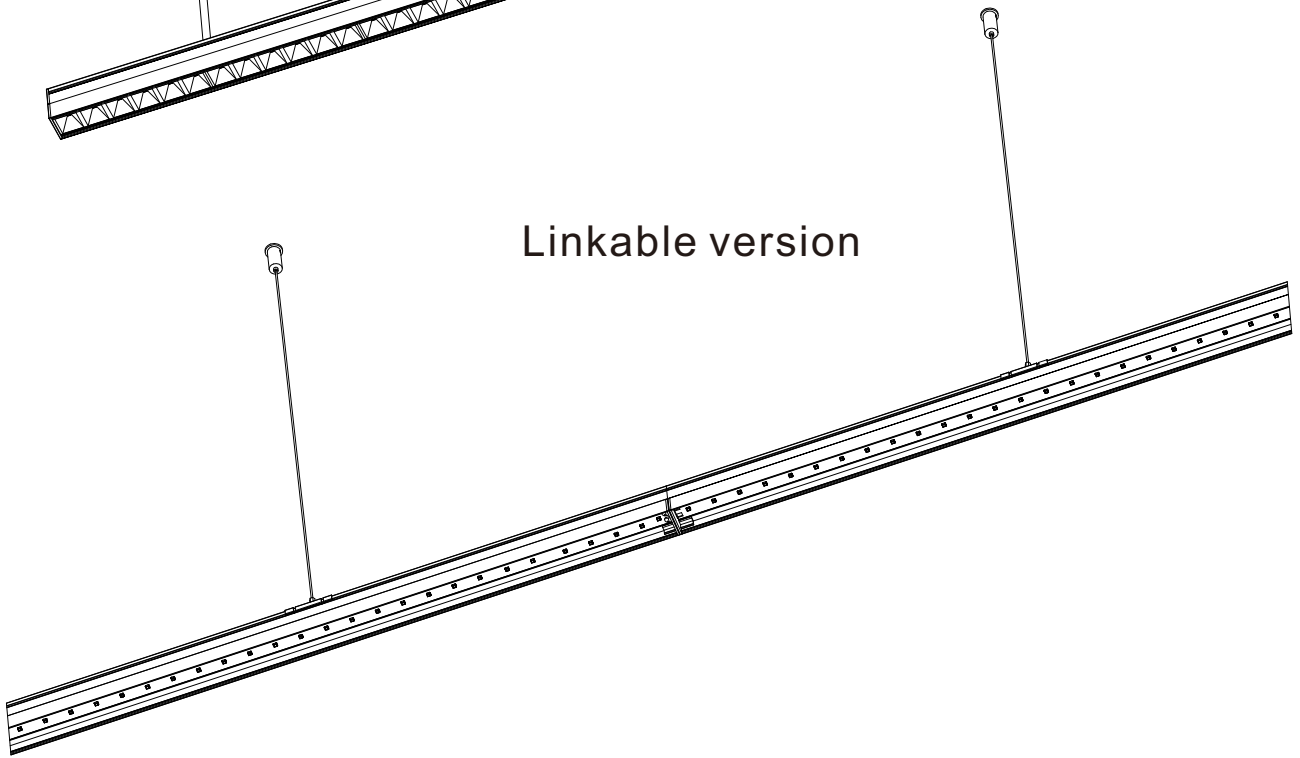
Overview

Slim LED Trunking/Linear Light

Independent version



Linkable version

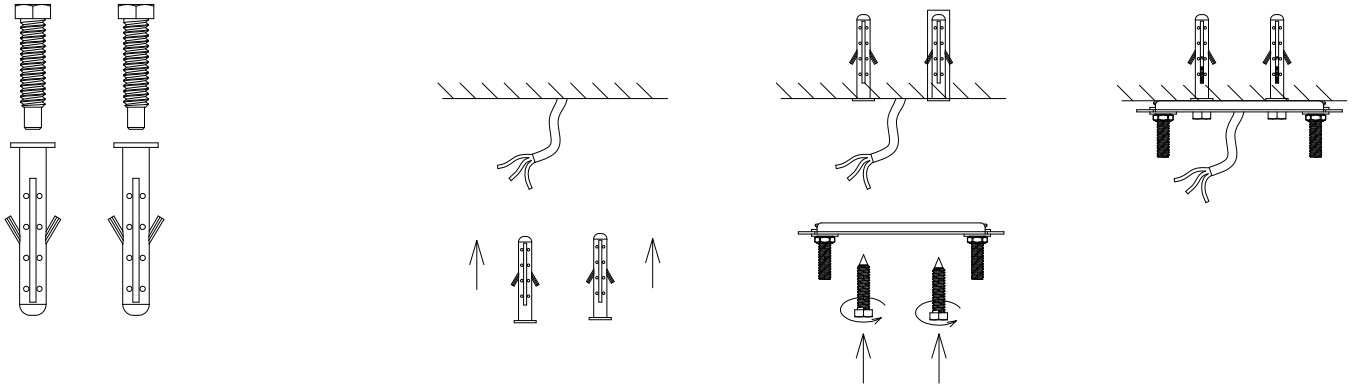


Thanks for choosing our product, please read this guide carefully before installation

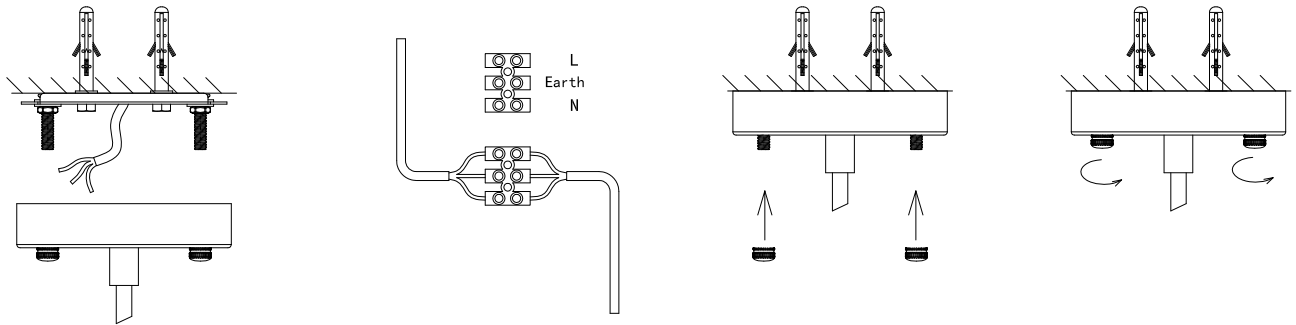
Installation

1

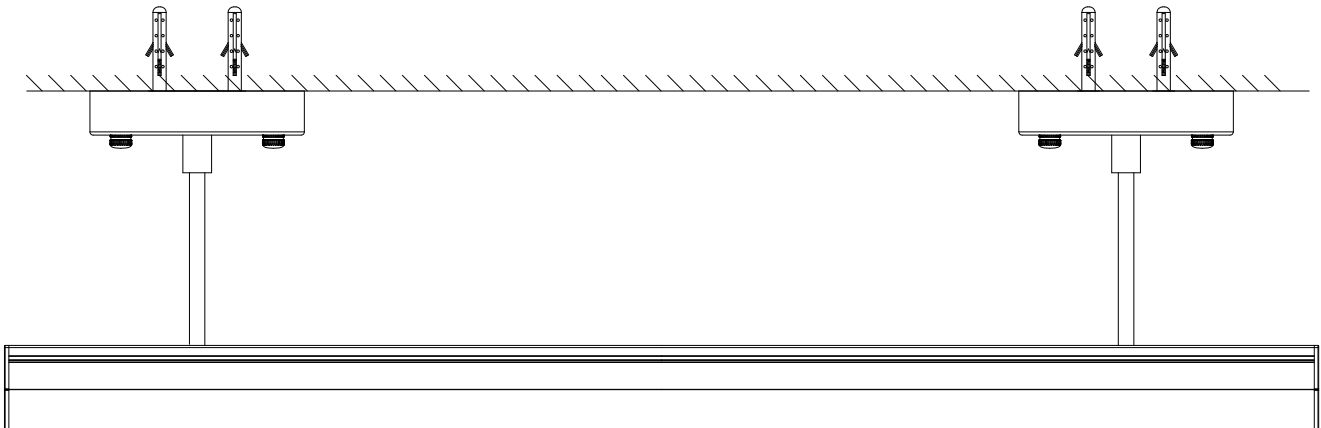
Independent version(suspending)



2

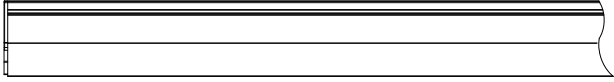
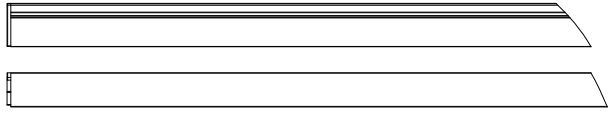
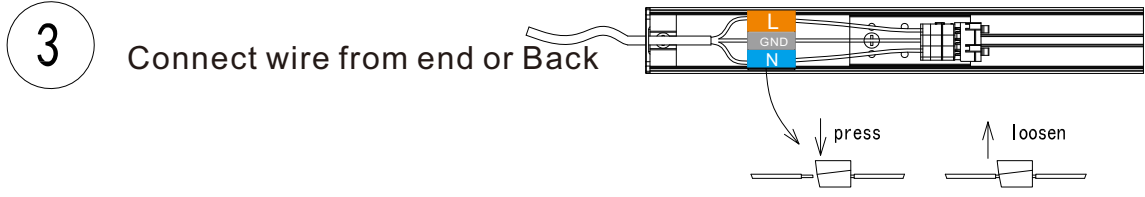
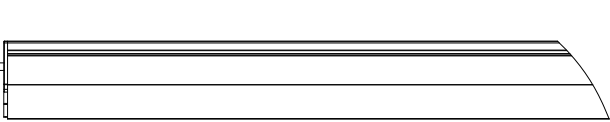


3

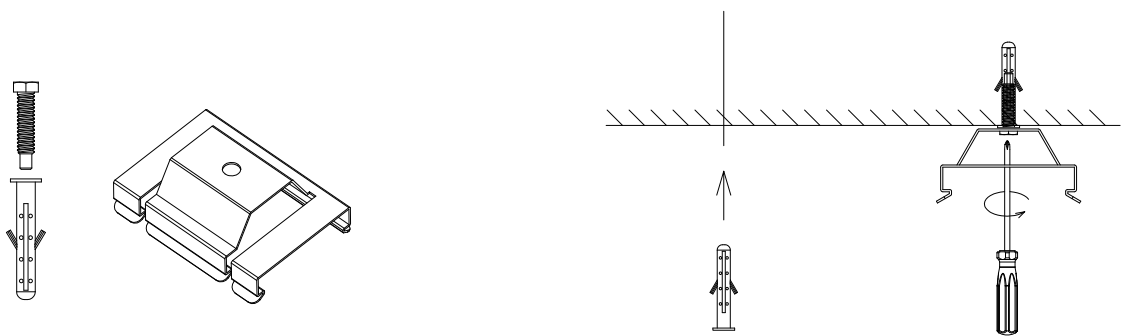


2

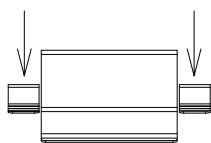
Wiring

- 1** Complete light 
- 2** Remove light source module 
- 3** Connect wire from end or Back 
- 4** Install light source module 

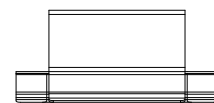
Linkable version(ceiling mounting)



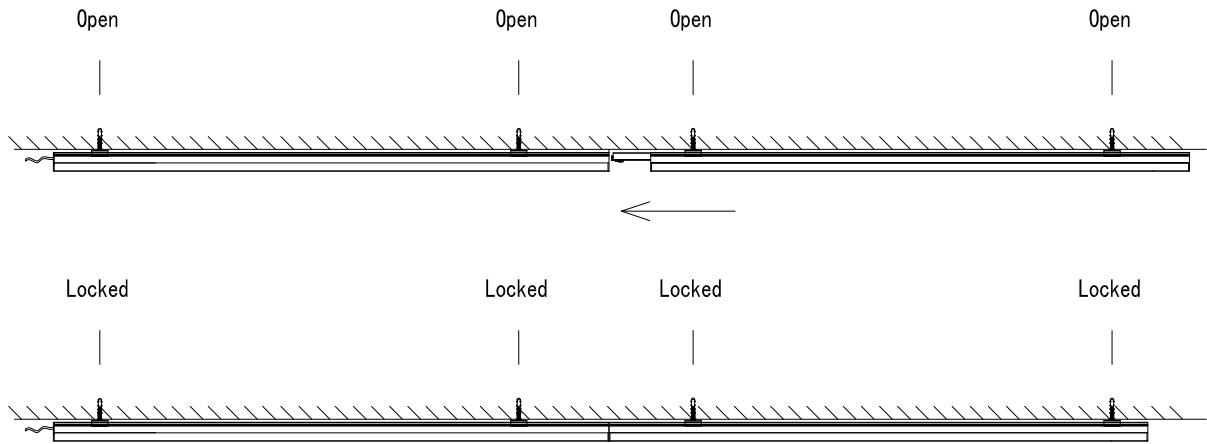
press



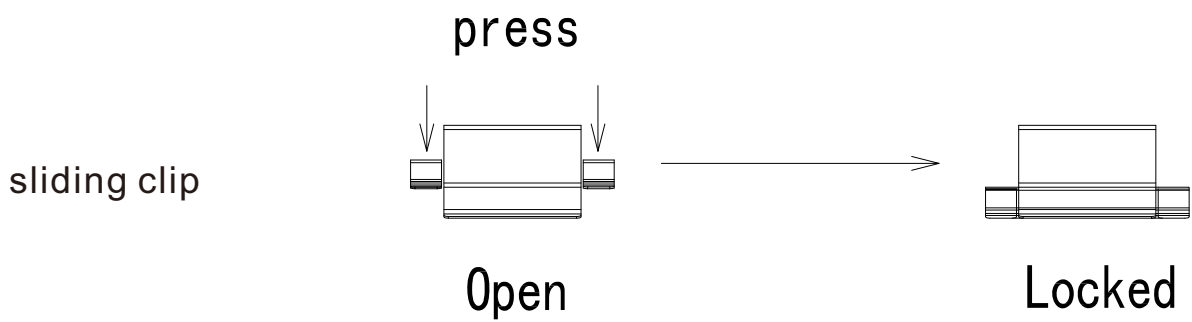
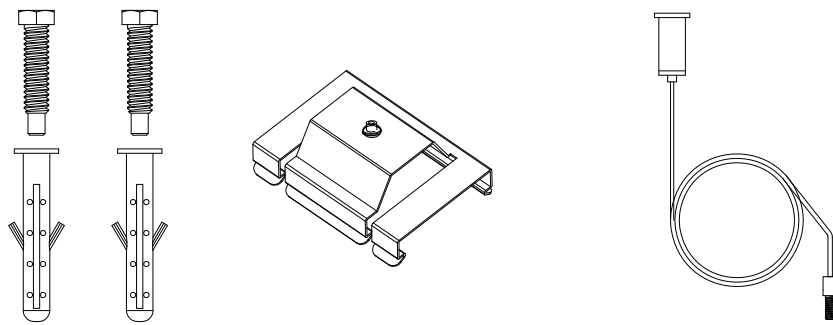
Open



Locked

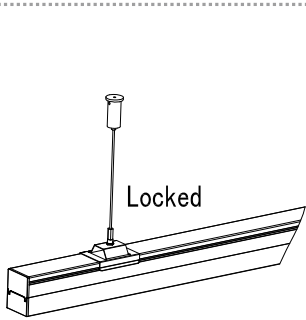
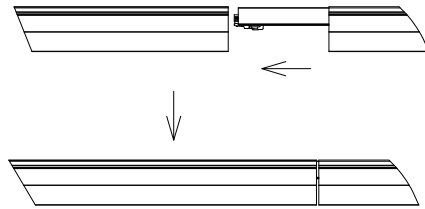
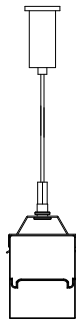
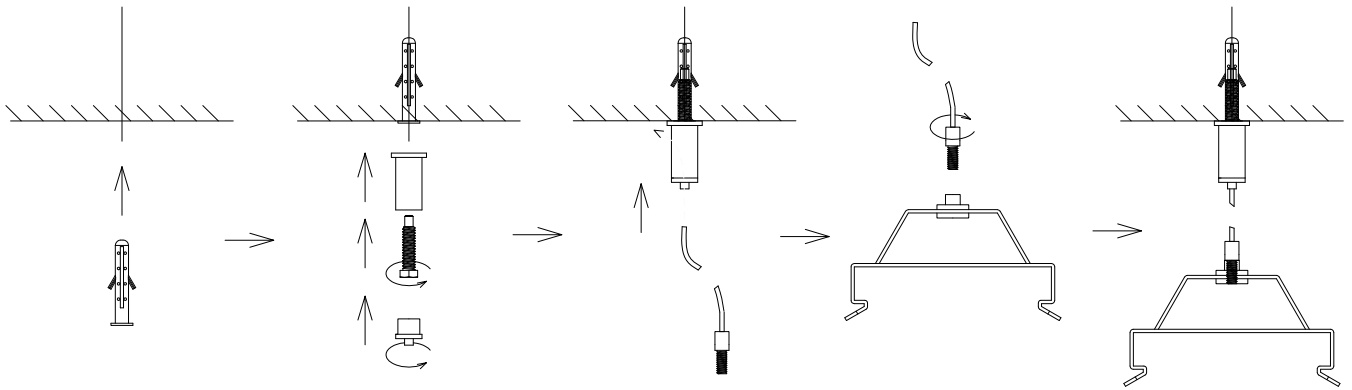


Linkable version(suspending)

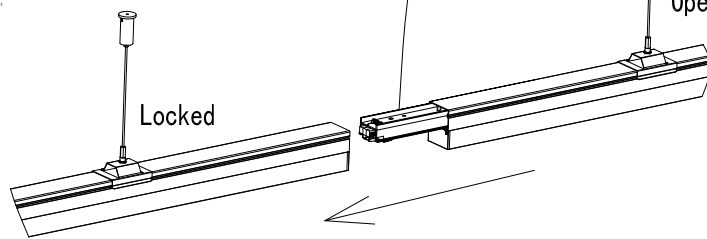


Installation Manual

Trunk Go Flex/Linear249

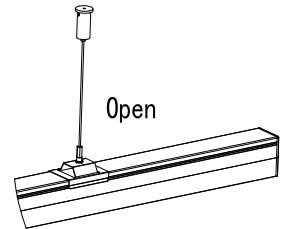


Locked

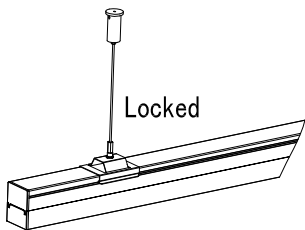


Locked

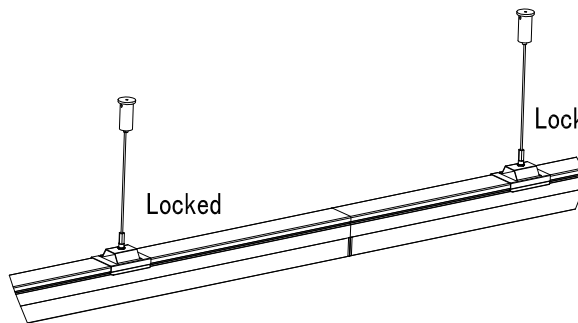
Open



Open

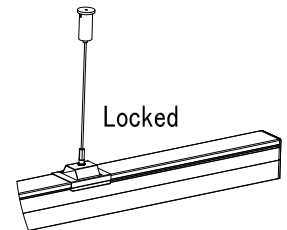


Locked



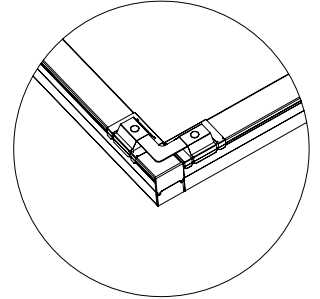
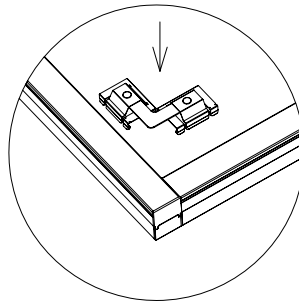
Locked

Locked

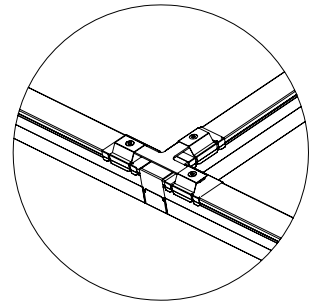
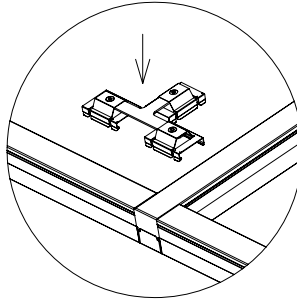


Locked

“L”type interconnection



“T”type interconnection



“+”type interconnection

