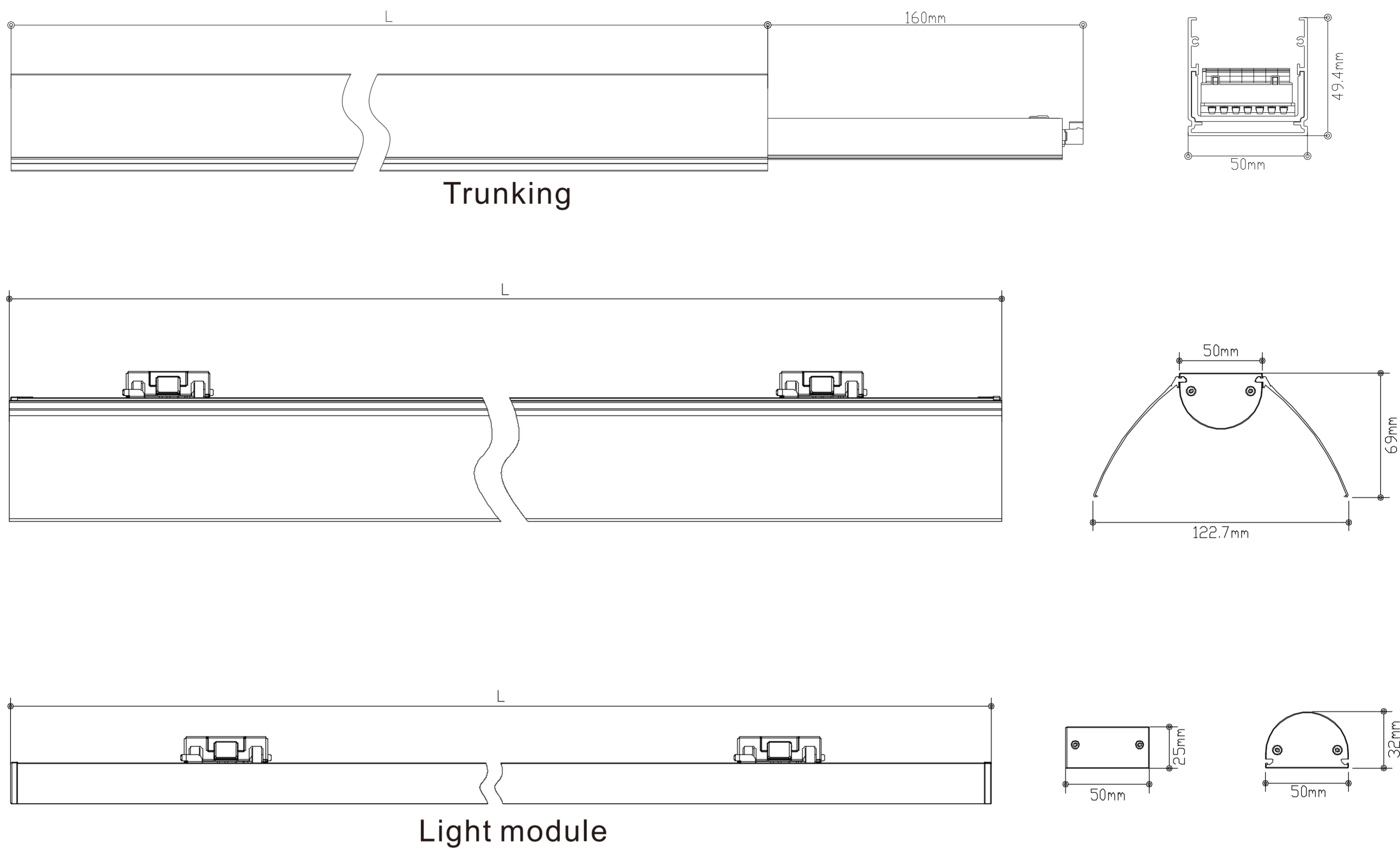


Installation Manual

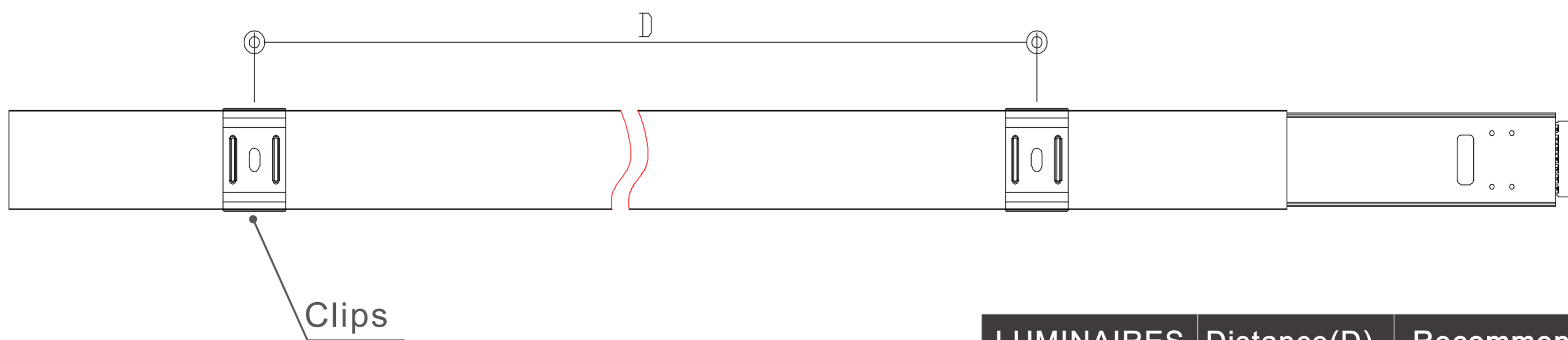
Trunk Pro Flex / Linear232

Dimension



Luminaire Inlet & Installation Options

1 Steel clips space



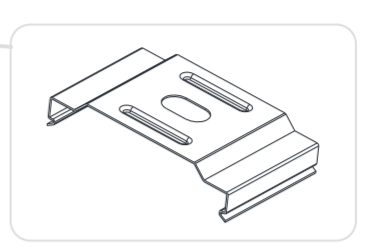
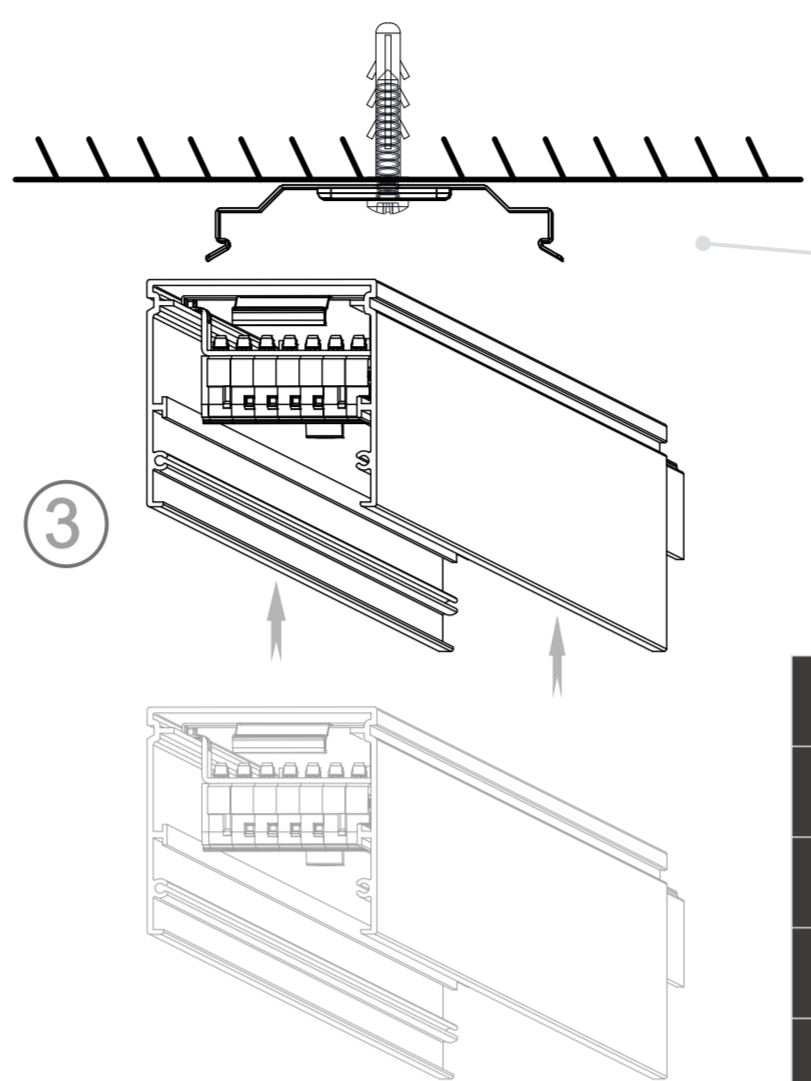
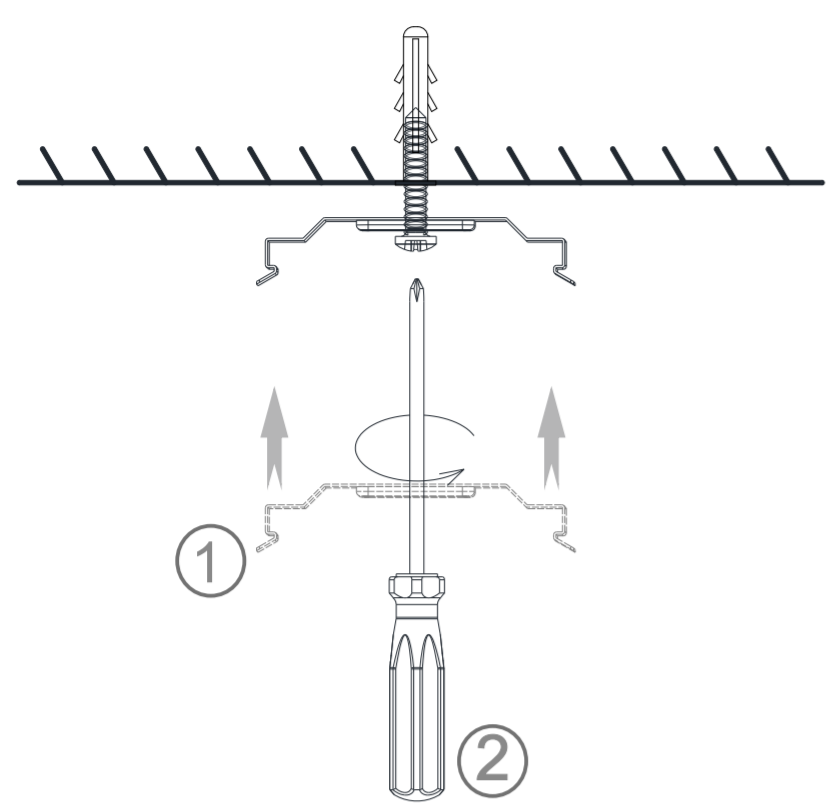
LUMINAIRES	Distance(D)	Recommend
L=1500mm	1100mm-1300mm	1250mm
L=3000mm	2000mm-2200mm	2100mm

Thanks for choosing our product, please read this guide carefully before installation.

Installation Manual

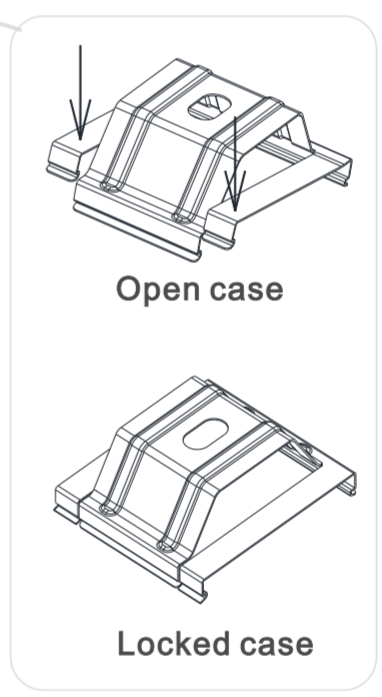
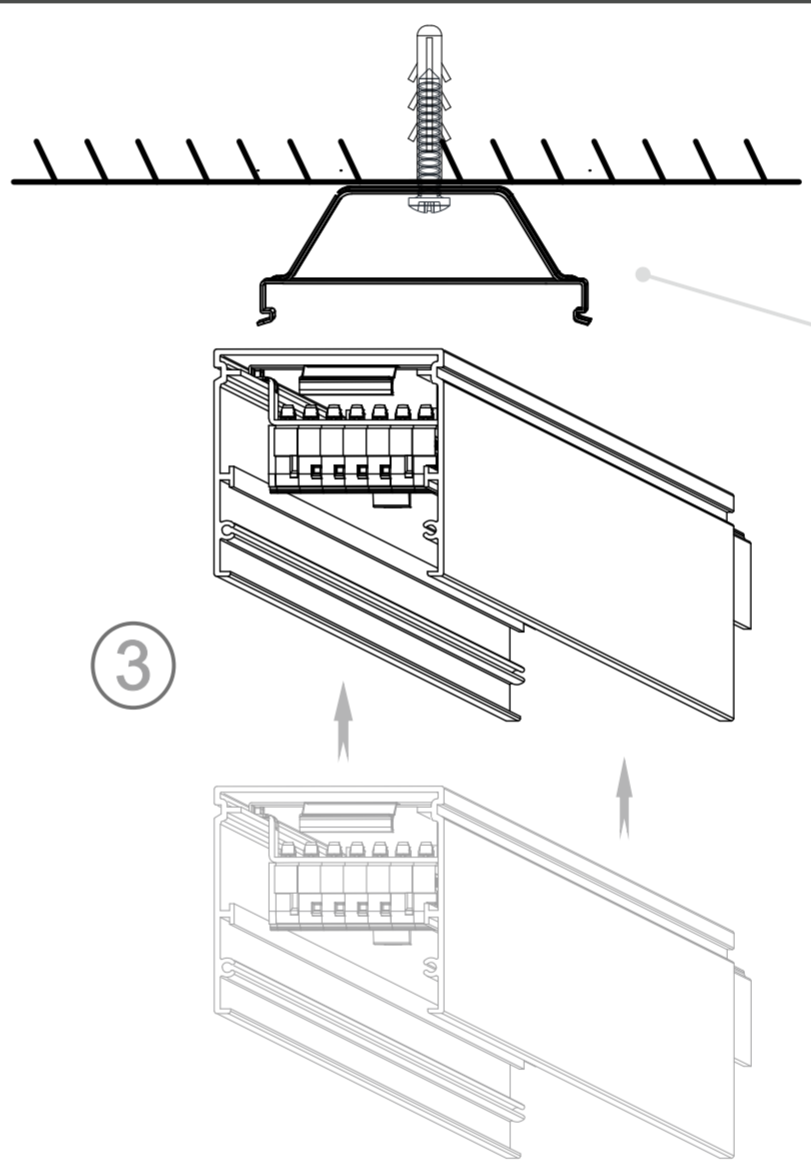
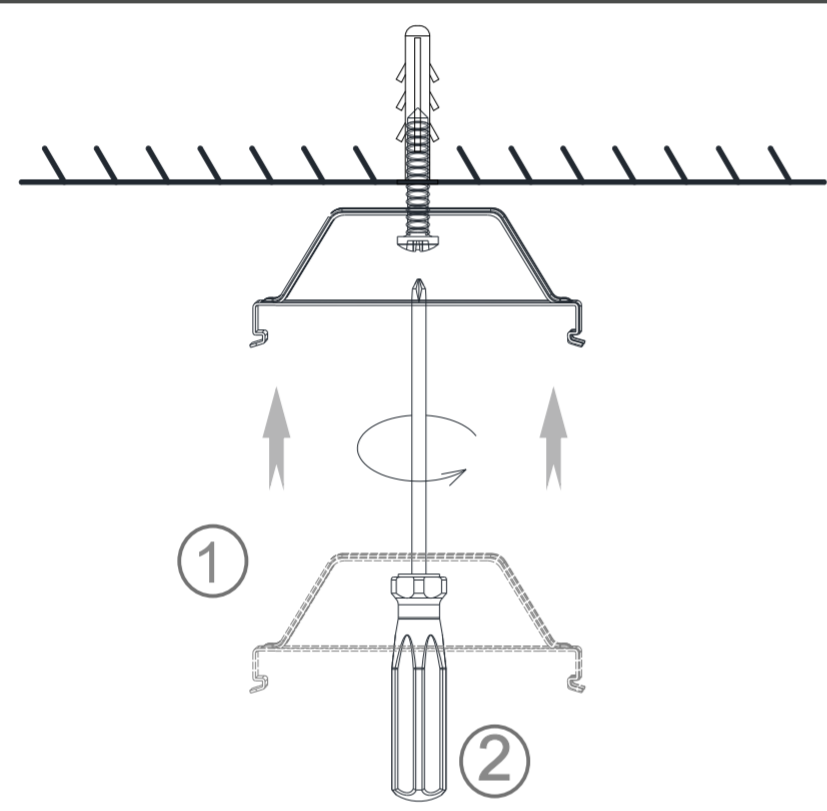
Trunk Pro Flex / Linear232

2a Universal Ceiling Mounting

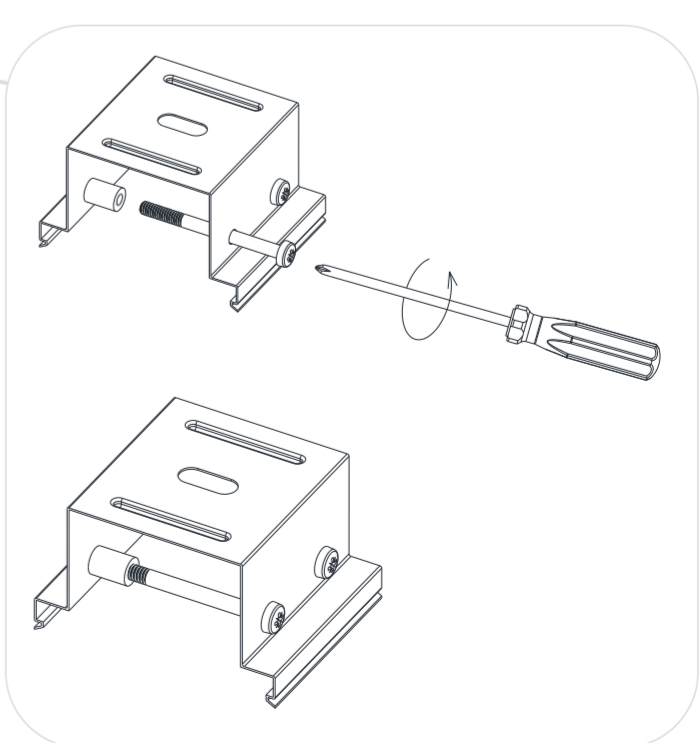
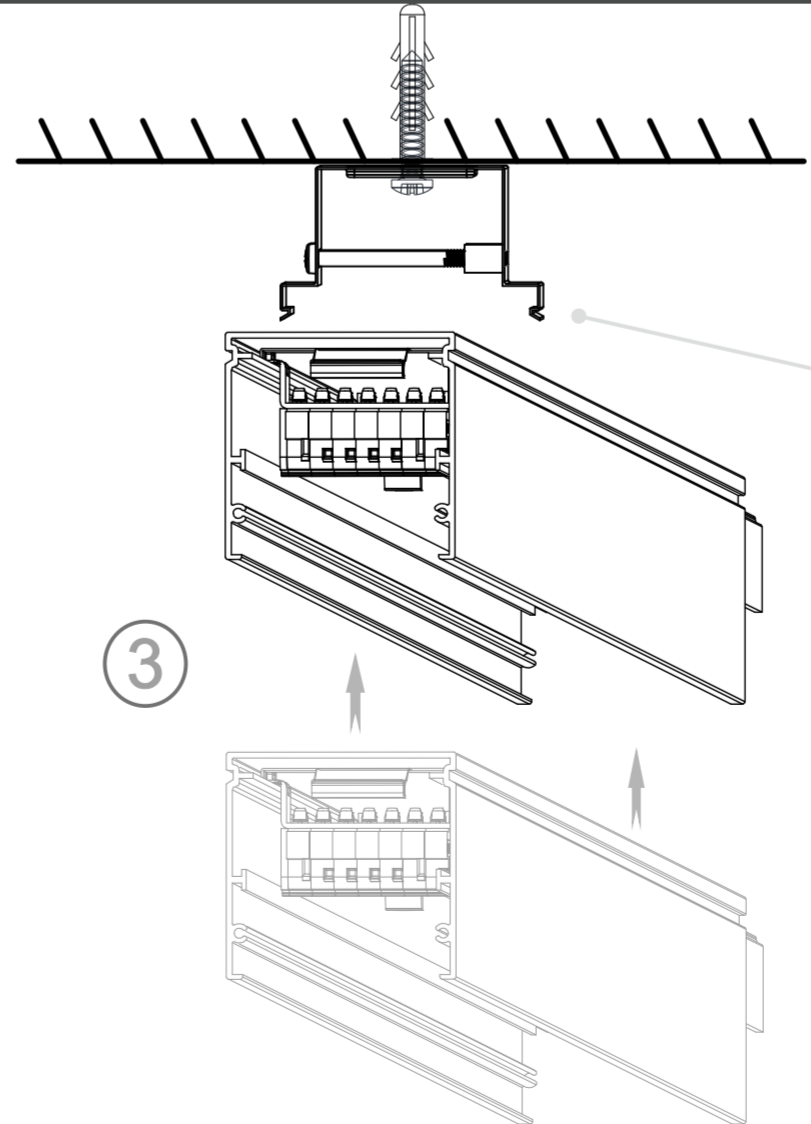
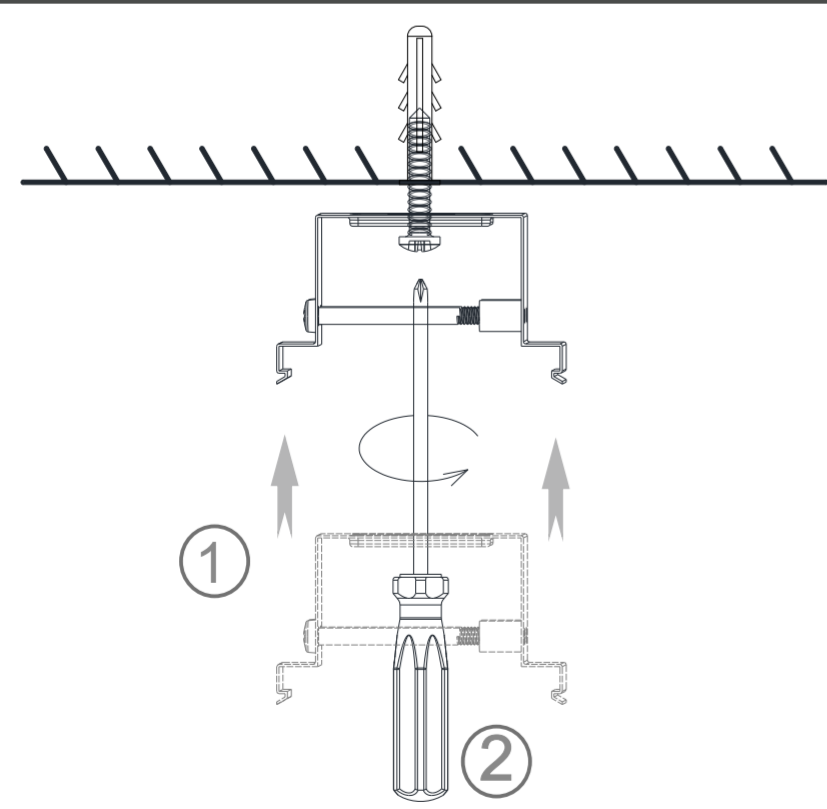


Model no.	Description
2a	Stainless steel clip
2b	Sliding clip
2c	Anti-theft clip
2d	Suspending kit

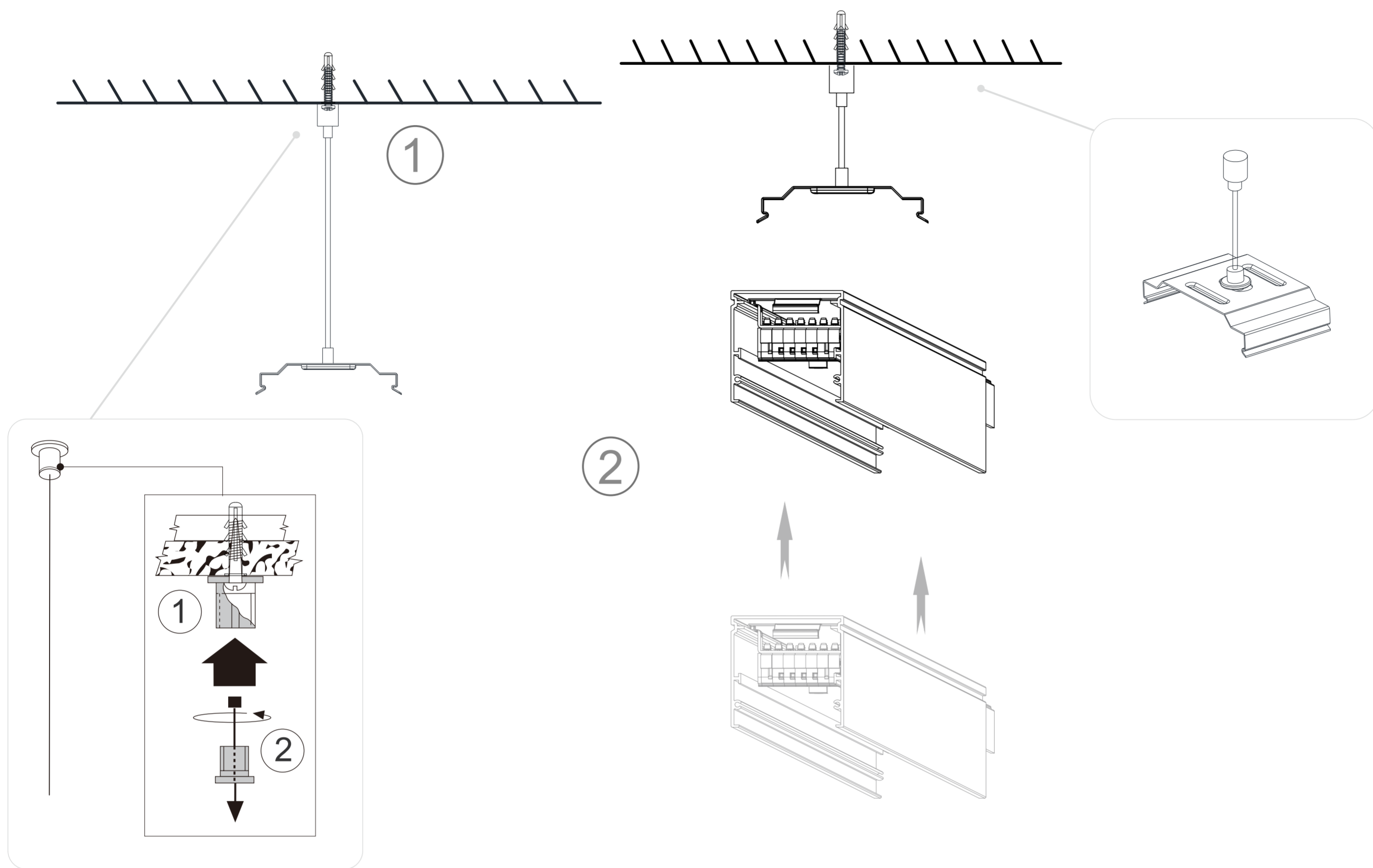
2b Universal Ceiling Mounting



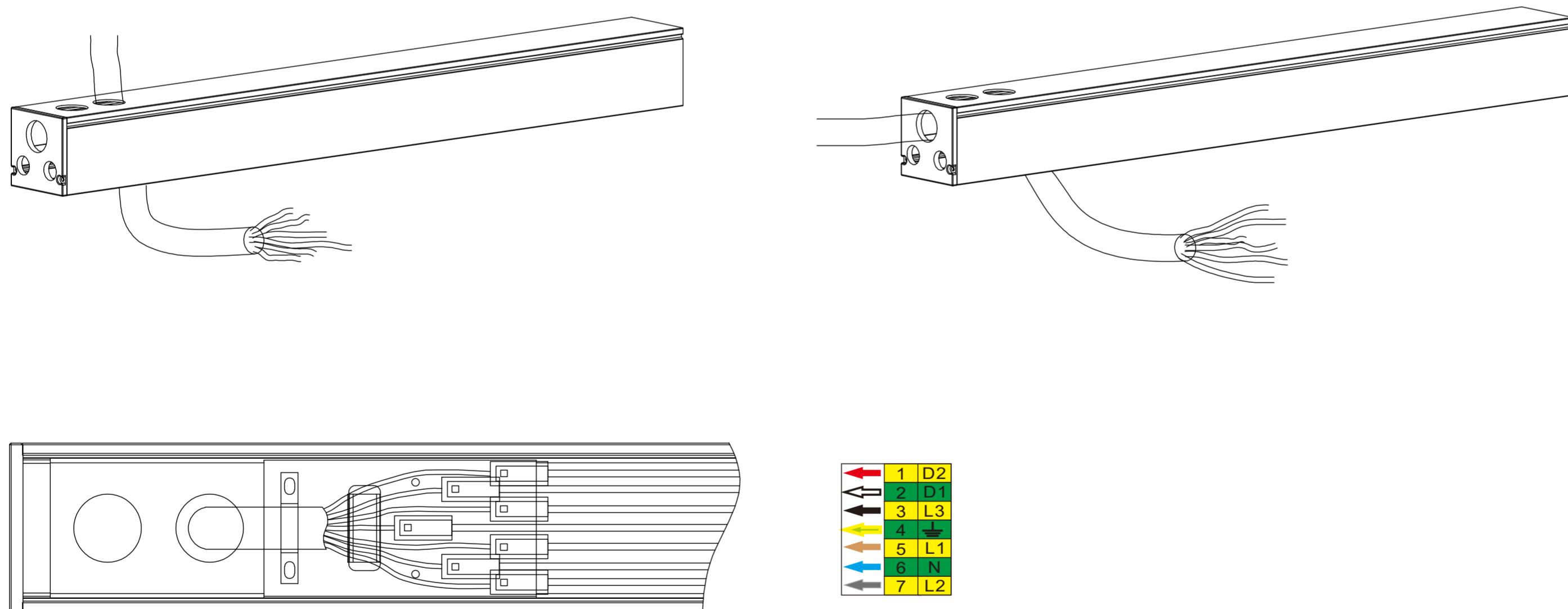
2c Universal Ceiling Mounting



2d Suspending



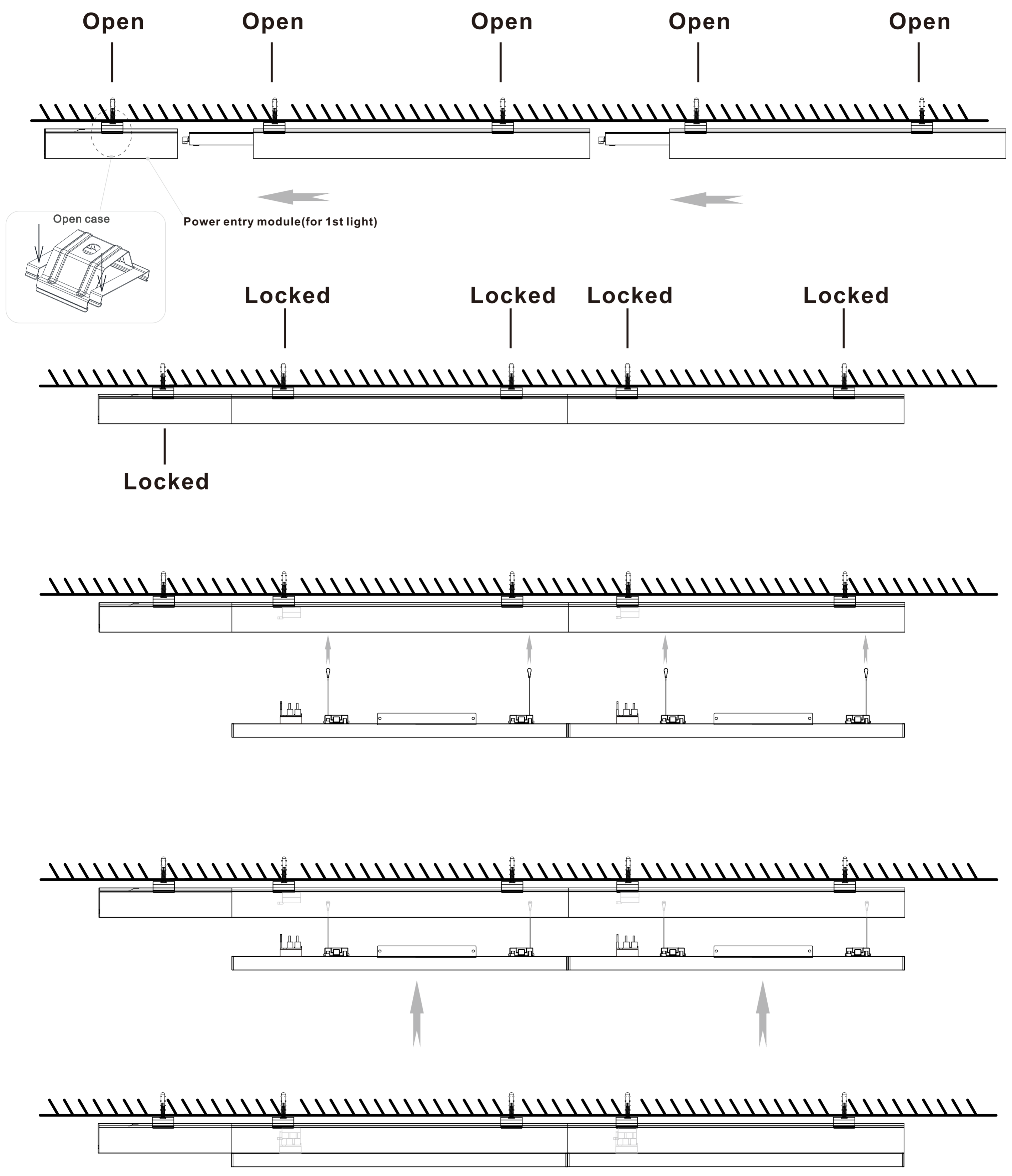
Luminaire Inlet – Power entry module (for 1st light)



Thanks for choosing our product, please read this guide carefully before installation.

2a Interconnecting Installation Option With Power Entry Module

LUMINAIRES END to END



2b Interconnecting Installation Option With Entry From End Or Back

LUMINAIRES END to END

